



## SMALL FORMAT DISPLAYS



# User Guide

## **21.5" LCD Touch Screen Monitor**

Model: TSI21PDAVAZZZZ

## Table of Contents

User Guide.....	1
1. Introduction .....	4
1.1 Monitor Description.....	4
1.2 Package Contents .....	4
1.3 Product Overview .....	5
2. Important Information .....	8
2.1 Safety Information .....	8
2.2 Environmental Information.....	11
2.3 Regulatory Information .....	12
2.4 Equipment Symbols .....	13
3. Cleaning the Display.....	15
3.1 Cleaning Instructions .....	15
4. Monitor Installation .....	16
4.1 Installation Procedure .....	16
4.2 Stand Removal & VESA Mount Installation.....	17
5. Daily Operation .....	20
5.1 Main Powerswitch.....	20
5.2 Power/Status Indication.....	20
6. OSD Menu Operation.....	21
6.1 On-Screen Display .....	21
6.2 Menu Descriptions .....	21
6.3 OSD Structure.....	22
6.4 Main Menu.....	24
6.4.1 Exit.....	24
6.4.2 Picture Adjust.....	24
6.4.2.1 Contrast.....	25
6.4.2.2 Brightness.....	25
6.4.2.3 Adv. Contrast .....	25
6.4.2.4 ECO Mode .....	26
6.4.2.5 Blue Light Reducer .....	26
6.4.3 Input Select .....	27
6.4.4 Audio Adjust.....	27
6.4.4.1 Volume .....	27
6.4.4.2 Mute.....	28
6.4.4.3 Digital Audio.....	28
6.4.5 Color Adjust.....	28
6.4.5.1 User .....	29
6.4.6 Image Adjust .....	29
6.4.6.1 H. Position (Analog Video Only).....	30
6.4.6.2 V. Position (Analog Video Only) .....	30
6.4.6.3 Clock (Analog Video Only).....	30
6.4.6.4 Phase (Analog Video Only).....	30
6.4.6.5 Sharpness .....	31
6.4.6.6 Video Mode Adjust .....	31
6.4.7 Language .....	32
6.4.8 Setup .....	32

6.4.8.1	OSD Position.....	33
6.4.8.2	OSD Time Out.....	33
6.4.8.3	Auto Power Off.....	33
6.4.9	Display Information.....	34
6.4.9.6	Reset.....	34
6.5	Supported Video Modes .....	35
7.	Technical Specifications.....	36
8.	Outline Dimension .....	38

# 1. Introduction

## 1.1 Monitor Description

The equipment is intended for general use in commercial environments for human-machine interface (HMI) and display for reference. It was designed with high resolution, operational safety, and long service life in mind.

## 1.2 Package Contents

---

- 21.5" LCD Touch Screen Monitor
- AC Power Cord
- HDMI 1.4 Cable
- USB Cable
- Stand

## 1.3 Product Overview

---

### Front View

The image below shows the front view of the display.

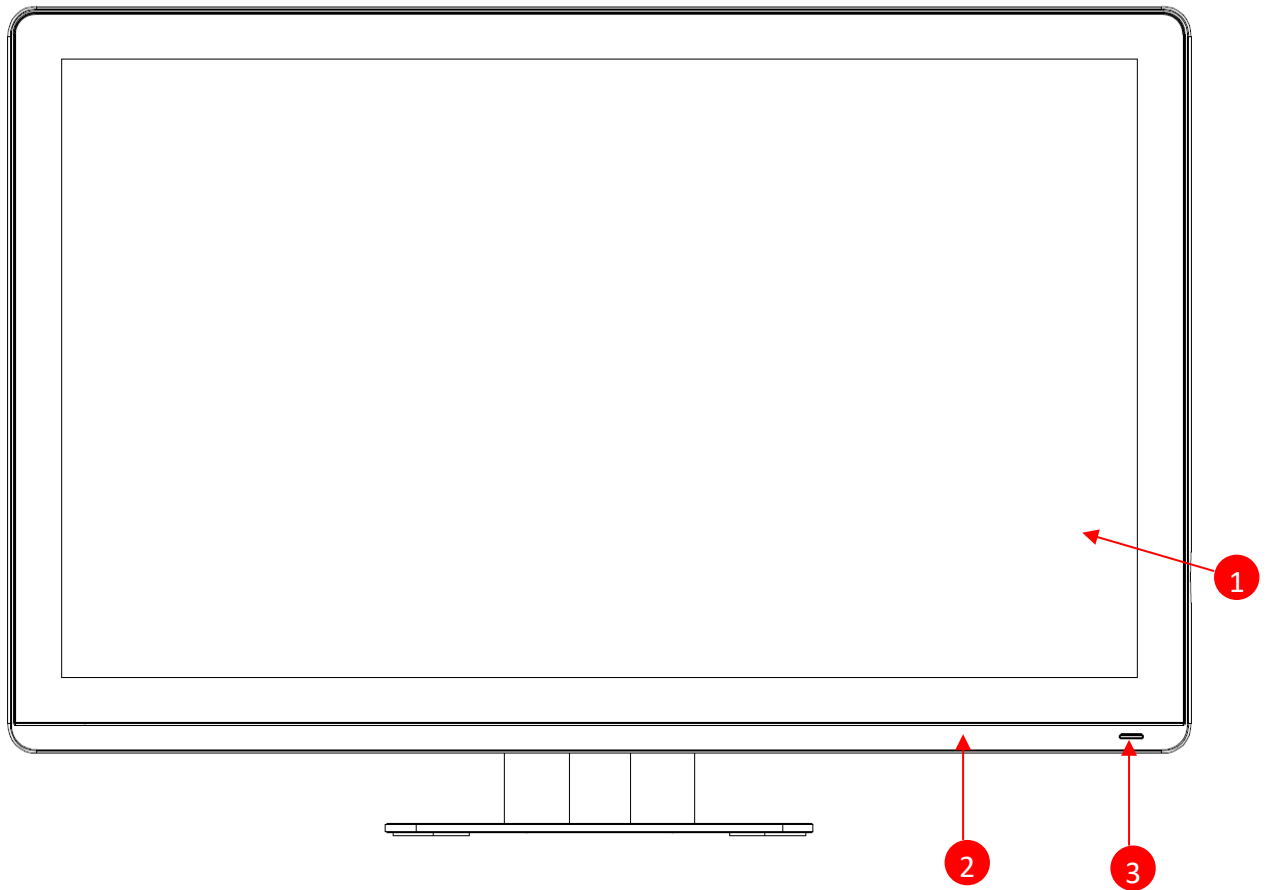


Image 1-1 Front view

1. P-CAP touch glass
2. Bezel
3. LED

## Side View

The image below shows the control key located in the right bottom corner of the display.

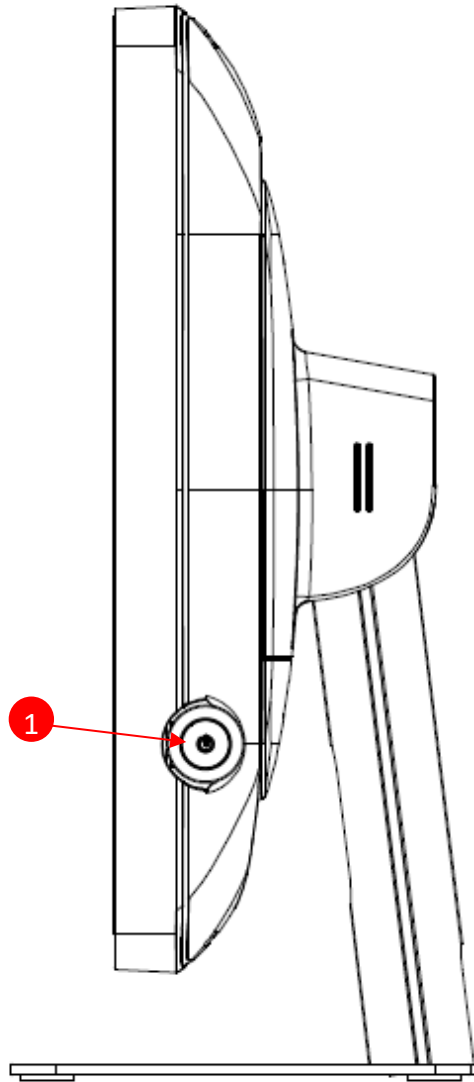


Image 1-2 Control Key

1. Menu/Enter key / Scrolling key

## Rear View

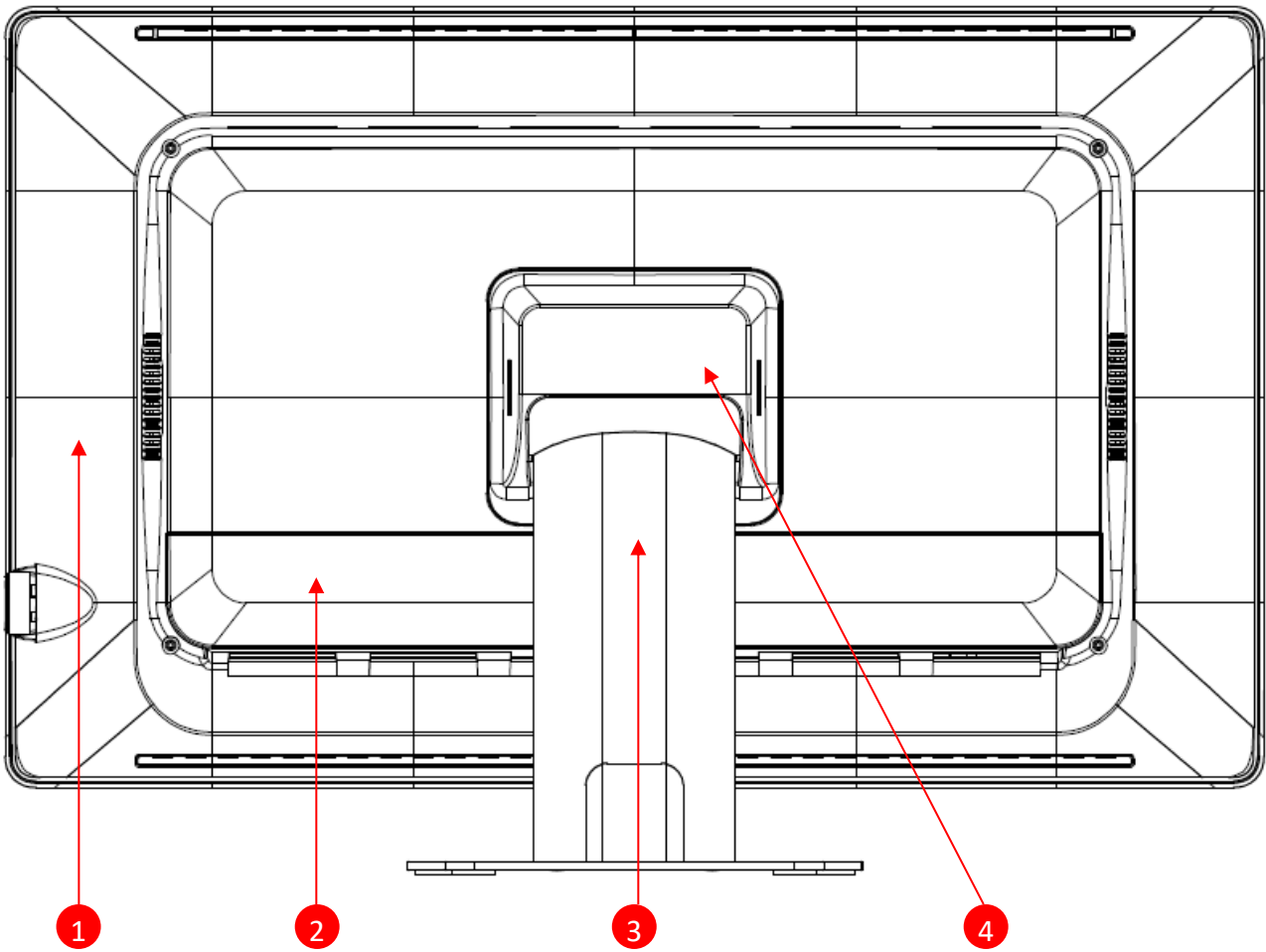


Image 1-3 Rear view

1. Rear cover
2. IO cover
3. Monitor stand
4. Hinge cover

## 2. Important Information

### 2.1 Safety Information

---

#### **General Recommendations**

Read the safety and operating instructions before operating the device. Save the safety and operating instructions for future reference.

Adhere to all warnings on the device and in the operating instructions manual. Follow all instructions for operation and use.

#### **Electrical Shock or Fire Hazard**

To prevent an electrical shock or fire hazard, do not remove the cover.

No serviceable parts are inside. Refer servicing to qualified personnel. Do not expose this apparatus to rain or moisture.

#### **Modifications to the Unit:**

Do not modify this equipment without authorization of the manufacturer.

#### **Type of Protection (Electrical):**

Monitor with internal power supply: Class I equipment.

#### **Degree of Safety (Flammable Anesthetic Mixture):**

Equipment is not suitable for use in the presence of a flammable anesthetic mixture of air, oxygen, or nitrous oxide.

#### **Mission Critical Applications**

We strongly recommend for there to be a replacement monitor immediately available in mission critical applications.

#### **Transient Over-Voltage**

To fully disengage the power to the device, please disconnect the power cord from the AC inlet.



### **Power Cords:**

- Do not overload wall outlets and extension cords as this may result in fire or electric shock.
- Main leads protection (U.S.: Power cord): Power cords should be routed so that they are not walked upon or pinched by items placed upon or against them. Pay particular attention to cords at plugs and receptacles.
- The power supply cord should be replaced by the designated operator only at all times.
- Use a power cord that matches the voltage of the power outlet, which should be approved and in compliance with the safety standard of your particular country.
- Avoid placing the monitor near places that is hard to reach or difficult to disconnect the power supply cord.
- **“WARNING:** To avoid risk of electric shock, this equipment must only be connected to a main supply with protective ground.”
- **"AVERTISSEMENT :** Pour éviter tout risque d'électrocution, cet équipement ne doit être connecté qu'à une alimentation principale avec mise à la terre de protection."

### **Grounding Reliability**

Grounding reliability can only be achieved when the equipment is connected to an equivalent receptacle.

### **Liquids and Moisture**

Never expose the monitor to liquids or moisture.

Never use the monitor near water - e.g., near a bathtub, washbasin, swimming pool, kitchen sink, laundry tub or in a wet basement.

### **Ventilation**

Do not cover or block any ventilation openings in the cover of the set. When installing the device in a cupboard or another closed location, heed the necessary space between the set and the sides of the cupboard.

### **Installation**

Place the device on a flat, solid, and stable surface that can support the weight of at least 3 devices. If you use an unstable cart or stand, the device may fall, causing serious injury to a child or adult, and serious damage to the device.



### Caution

- To prevent fire or shock hazards, do not expose this monitor to rain or moisture. Also, do not use this monitor's polarized plug with an extension cord receptacle or other outlets unless the prongs can be fully inserted.
- To avoid the risk of electric shock, this equipment must only be connected to a main supply with protective ground connection.
- Modifications of any type on this equipment is not permitted. Modifications can only be performed by the manufacturer.
- Refrain from opening the cabinet as there are high voltage components inside. Please refer to manufacturer for any service needs.
- To prevent the risk of electric shock, make sure power cord is unplugged from wall socket. To fully disengage the power to the unit, please disconnect the power cord from the AC outlet. Do not remove cover (or back). No user serviceable parts inside. Refer servicing to qualified service personnel. The AC outlet shall be readily available and accessible.



### ATTENTION

- Pour éviter tout risque d'incendie ou d'électrocution, n'exposez pas ce moniteur à la pluie ou à l'humidité. De plus, n'utilisez pas la fiche polarisée de ce moniteur avec une prise de rallonge ou d'autres prises à moins que les broches ne puissent être complètement insérées.
- Pour éviter tout risque d'électrocution, cet équipement ne doit être connecté qu'à une alimentation principale avec mise à la terre de protection.
- Aucune modification de quelque nature que ce soit sur cet équipement n'est autorisée. Les modifications ne peuvent être effectuées que par le fabricant.
- S'abstenir d'ouvrir l'armoire car il y a des composants haute tension à l'intérieur. Veuillez vous référer au fabricant pour tout besoin de service.
- Pour éviter tout risque d'électrocution, assurez-vous que le cordon d'alimentation est débranché de la prise murale. Pour couper complètement l'alimentation de l'appareil, veuillez débrancher le cordon d'alimentation de la prise secteur. Ne retirez pas le couvercle (ou le dos). Aucune pièce réparable par l'utilisateur à l'intérieur. Confiez l'entretien à du personnel d'entretien qualifié. La prise secteur doit être facilement disponible et accessible.

## 2.2 Environmental Information

---

### Disposal Information

Waste Electrical and Electronic Equipment



■ This symbol on the product indicates that under the European Directive 2012/19/EU, governing waste from electrical and electronic equipment, this product must not be disposed of with other municipal waste. Please dispose of your waste equipment by handing it over to a designated collection point for the recycling of waste electrical and electronic equipment. To prevent possible harm to the environment or human health from uncontrolled waste disposal, please separate these items from other types of waste and recycle them responsibly to promote the sustainable reuse of material resources.

For more information about recycling of this product, please contact your local city office or your municipal waste disposal service.

### RoHS

EU Directive 2011/65/EC and 2015/863/EU.

On the restriction of certain hazardous substances in electrical and electronic equipment.

This product is RoHS compliant.

## 2.3 Regulatory Information

---

### **FCC Class B**

This device complies with Part 15 of the FCC Rules. Operation is subject to the following two conditions:

(1) This device may not cause harmful interference, and (2) this device must accept any interference received, including interference that may cause undesired operation.

This device has been tested and found to comply with the limits for a Class B digital device, pursuant to Part 15 of the FCC Rules. These limits are designed to provide reasonable protection against harmful interference in a residential installation. This device generates uses and can radiate radio frequency energy and, if not installed and used in accordance with the instructions, may cause harmful interference to radio communications. However, there is no guarantee that interference will not occur in a particular installation. If this device does cause harmful interference to radio or television reception, which can be determined by turning the device off and on, the user is encouraged to try to correct the interference by one or more of the following measures:

- Reorient or relocate the receiving antenna.
- Increase the separation between the device and receiver.
- Connect the device to an outlet on a circuit different from that to which the receiver is connected.
- Consult the dealer or an experienced radio/TV technician for help.

Changes or modifications not expressly approved by the party responsible for compliance could void the user's authority to operate the equipment.









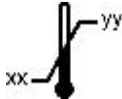
### **Canadian Notice**












This ISM device complies with Canadian ICES-003.

Cet appareil ISM est conforme à la norme NMB-003 du Canada.

## 2.4 Equipment Symbols

### Electrical and Electronic Equipment Symbols

	<p>Indicates the device meets the requirements of the applicable CE directives. Indique que l'appareil répond aux exigences des directives CE applicables.</p>
	<p>Indicates compliance with Part 15 of the FCC rules (Class A or Class B) Indique la conformité à la partie 15 des règles de la FCC (classe A ou classe B)</p>
	<p>Indicates the device is approved according to the UL regulations for Canada and US. Indique que l'appareil est approuvé conformément aux réglementations UL pour le Canada et les États-Unis</p>
	<p>A 'Cadmium free' logo shall be used if concentration values of Cadmium (Cd) by weight in any homogeneous material part of the display do not exceed 0,01 % as defined in Directive 2011/65/EU. Un logo « sans cadmium » doit être utilisé si les valeurs de concentration de cadmium (Cd) en poids dans une partie matérielle homogène de l'affichage ne dépassent pas 0,01 %, comme défini dans la directive 2011/65/UE.</p>
	<p>Indicates the USB connectors on the device Indique les connecteurs USB sur l'appareil</p>
	<p>Indicates the Display Port connectors on the device Indique les connecteurs Display Port sur l'appareil</p>
	<p>Indicates the legal manufacturer Indique le fabricant légal</p>
	<p>Indicates the manufacturing date Indique la date de fabrication</p>
	<p>Indicates the temperature limitations for the device to safely operate within specs. Indique les limites de température pour que l'appareil puisse fonctionner dans les spécifications.</p>

	<p>Indicates the device serial number Indique le numéro de série de l'appareil</p>
	<p>Indicates the device part number or catalog number Indique le numéro de pièce ou le numéro de catalogue de l'appareil</p>
	<p><b>Warning:</b> dangerous voltage <b>Attention :</b> tension dangereuse</p>
	<p><b>Caution</b> Mise en garde</p>
	<p>Indicates this device must not be thrown in the trash but must be recycled, according to the European WEEE (Waste Electrical and Electronic Equipment) directive Indique que cet appareil ne doit pas être jeté à la poubelle mais doit être recyclé, conformément à la directive européenne DEEE (Déchets d'équipements électriques et électroniques)</p>
	<p>Indicates Direct Current (DC) Indique le courant continu (DC)</p>
	<p>Indicates Alternating Current (AC) Indique le courant alternatif (AC)</p>
	<p>Stand-by Etre prêt</p>
	<p>Power ON. Power connection to the mains Allumer. Branchement électrique au secteur</p>
	<p>Power OFF Éteindre</p>
	<p>Protective earth (ground) Terre de protection (terre)</p>

# 3. Cleaning the Display

---

## 3.1 Cleaning Instructions

---

### To clean the display

Cleaning the display using a sponge, cleaning cloth, or soft tissue with lightly moistened recognized cleaning product for the equipment. Read and follow all labeled instructions on the cleaning product. In case of doubt about a certain cleaning product, use plain water.

#### **CAUTION:**

- **Be careful not to damage or scratch the front glass or LCD screen. Use caution when wearing rings or other jewelry and do not apply excessive pressure to the front glass or LCD screen.**
- **Do not apply or spray liquid directly onto the display as excess liquid may cause damage to internal electronics. Instead, apply the liquid to a cleaning sponge, soft clean cloth, or tissue.**

#### **ATTENTION :**

- **Veillez à ne pas endommager ou rayer la vitre avant ou l'écran LCD. Soyez prudent lorsque vous portez des bagues ou autres bijoux et n'appliquez pas une pression excessive sur le verre avant ou l'écran LCD.**
- **N'appliquez pas ou ne vaporisez pas de liquide directement sur l'écran car un excès de liquide peut endommager l'électronique interne. Au lieu de cela, appliquez le liquide sur une éponge de nettoyage, un chiffon doux et propre ou un mouchoir en papier.**

## 4. Monitor Installation



**WARNING:** Sufficient expertise is required to install this equipment. All devices and complete setup must be tested before operation.



**AVERTISSEMENT :** Une expertise suffisante est requise pour l'installation de cet équipement. Tous les appareils et la configuration complète doivent être testés avant d'être mis en service.

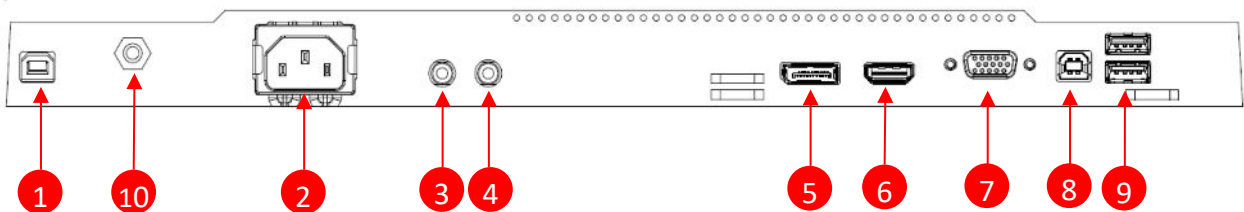
### 4.1 Installation Procedure

#### To install your monitor

To get access to the connectors, put the display on a flat surface.

1. Connect one or more video source(s) to the corresponding video inputs of the monitor.  
Use the appropriate video cable(s) to do this.
2. Connect the USB connector for touch screen function.
3. Connect the Audio cable for audio function.
4. Connect the power cord input to a grounded Power Outlet.
5. Install cable cover back on the monitor.

#### Available Connections



Available connections (bottom view)

No	Name	Connection Type	Remarks
1	USB TOUCH	USB type-B	Touch screen signal output
2	AC Input	AC Socket 3Pin	Insert the AC power cord
3	LINE IN	3.5mm stereo phone jack	Audio signal input
4	HEADPHONE	3.5mm stereo phone jack	Audio signal output
5	DP	DisplayPort	DisplayPort signal input
6	HDMI	HDMI	HDMI signal input
7	VGA	D-Sub 15	VGA signal input
8	USB HUB	USB type-B	USB upstream port. Connect to the system
9	USB HUB	USB type-A*2	USB downstream port. Connect to USB device
10	GND Post	Ground Stud / Screw	Connect to the system to earth ground



## 4.2 Stand Removal & VESA Mount Installation

---

This monitor provided with a validated stand. The monitor has been designed to be used in landscape position with a maximum tilt of  $-5^{\circ}$  forward to  $30^{\circ}$  backward. If a different stand is needed in the final application, the monitor VESA interface (VESA 100 mm standard) could be used.

### To remove the stand and install the VESA mount

1. Place the monitor face down on a flat, solid and stable surface.\*
2. Remove the stand cover.
3. Unscrew the 4x M4 (length: 10mm) screws fixing the stand and rear cover.
4. Remove the stand and install the VESA mount.

**\*Caution:** Use a protective cloth or soft cushion to avoid damaging or scratching the monitor and LCD screen.

**\*Attention :** Utilisez un chiffon de protection ou un coussin doux pour éviter d'endommager ou de rayer le moniteur et écran ACL.

**Tip:** Store the fixation screws at a known place for possible future use.

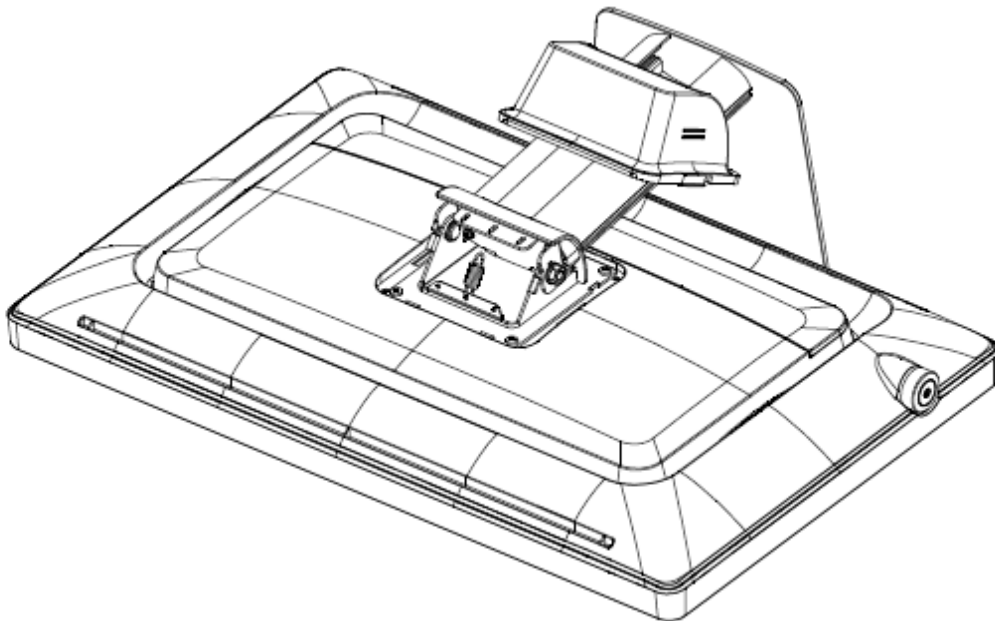


Image 4-2-1 Remove the hinge cover

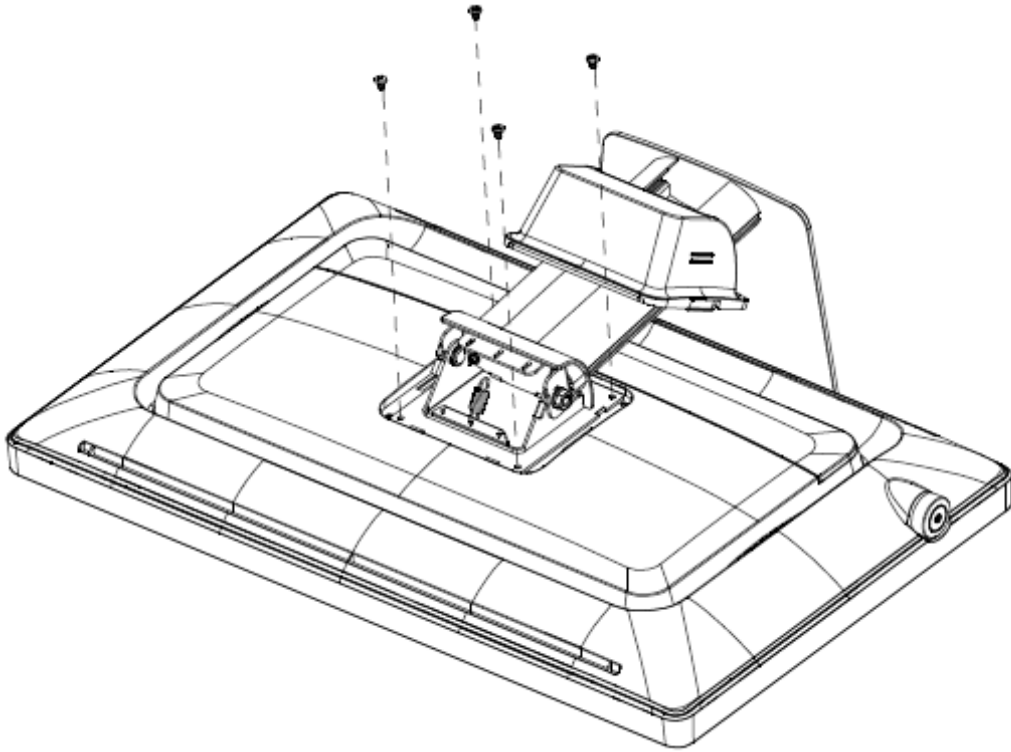


Image 4-2-2 Remove the 4x M4 screws

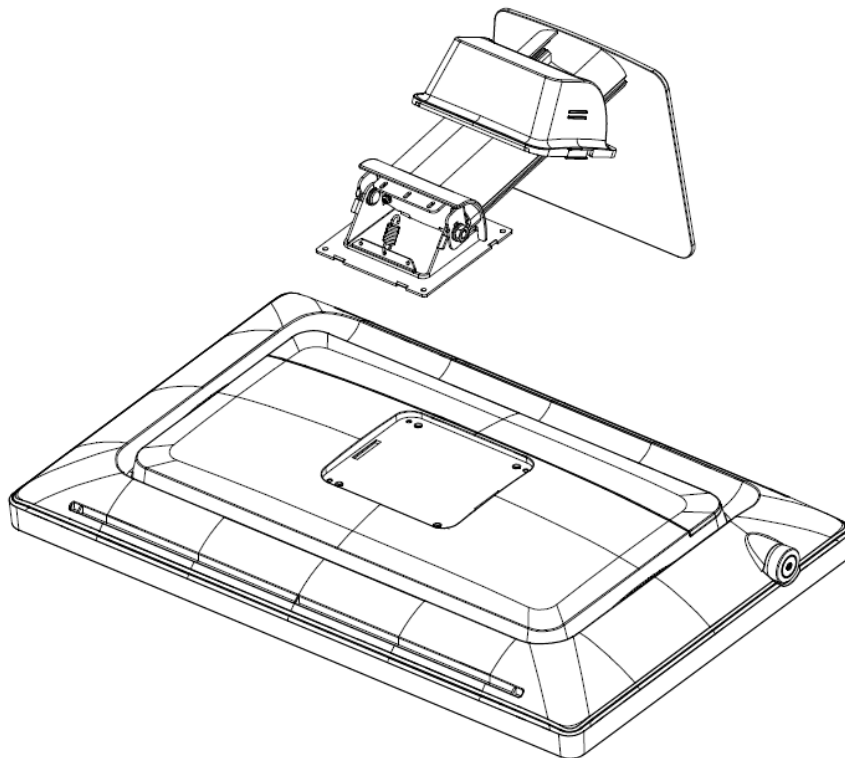


Image 4-2-3 Remove the stand from the monitor.

5. Attach the monitor in landscape position to a 100 mm VESA mounting bracket. If mounted in portrait position, the OSD menu cannot be rotated.

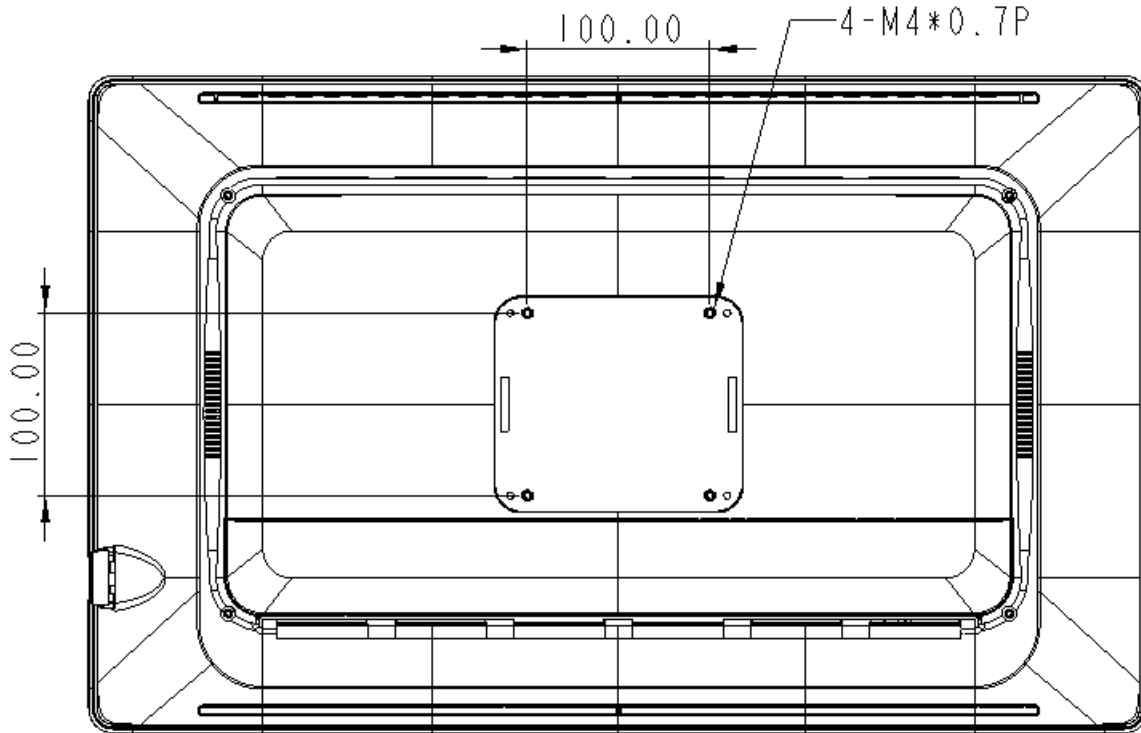


Image 4-2-4 VESA mount is located at the back of the monitor.

# 5. Daily Operation

## 5.1 Main Power switch

---

The monitor is switched on or off with the main switch, see **image 1-2 Control key**.

## 5.2 Power/Status Indication

---

During start-up the monitor performs signal detection before going into normal operation mode. Depending on the detection result, the status LED on the side of the monitor will show different LED color.

**Below is an overview of the possible status LED modes:**

LED Color	Status LED modes	Operation Description
OFF (No LED)	OFF mode	Monitor is not powered.
Green, static	Normal mode	Monitor is ON, video sync OK.
Amber, static	Stand-by mode (Power saving)	Automatically enters power saving and standing by for input signal

## 6. OSD Menu Operation

The Charts displays the function tree and brief explanations of the functions. Color, OSD, and other adjustments have submenus under each tree.

### 6.1 On-Screen Display

---

The LCD monitor features an On-Screen Display (OSD) menu with easily identifiable icons designed to make adjustment of your monitor display settings a more user-friendly process. When highlighted, the icon illustrates the control function and brief instruction to assist the user in identifying which control needs adjustment.

The OSD menu is activated by pressing the Control Dial inward and you can select and adjust the function of your choice by rotating and clicking the Control Dial. The main menu displays a list of sub menu icons and the current video input mode. Rotate the dial to move the highlights to the control you would like to adjust, then press the Control Dial inward to select that control or to activate that function. Depending on the control you selected, a submenu of the control with a status bar will appear. The status bar indicates in which direction, from the factory preset; your adjustments are being made. Rotate the Control Dial to adjust the control.

When you have finished making the adjustments, the setting is saved automatically by activating the control function. If you do not touch the Control Dial for 30 seconds, the OSD is automatically exited saving your current settings.

### 6.2 Menu Descriptions

---

The LCD monitor can accept VGA, HDMI, or Display Port video signal inputs and therefore has two different sets of OSD control functions. Because the digital video signal always achieves optimum display quality without the need for adjustment, it requires fewer OSD functions than the analog input mode. The following options are not available in digital input mode: Auto Adjust, Clock, and Phase, denoted by an asterisk (\*) in the following descriptions. If switched to digital video input, the option will be disabled in the OSD menu.

### 6.3 OSD Structure

LEVEL 1	LEVEL 2	LEVEL 3	LEVEL 4	
Exit				
Picture Adjust	Exit			
	Contrast			
	Brightness			
	Adv. Contrast	On		
		Off		
	ECO Mode	Exit		
		Off		
		Mode1		
		Mode2		
		Mode3		
	BlueLightReducer	Off		
		Mode1		
		Mode2		
Mode3				
InputSelect	Exit			
	VGA			
	HDMI			
	DP			
	Auto			
Audio Adjust	Exit			
	Volume			
	Mute			
	Digital Audio	HDMI/DP Line-In		
Color Adjust	Exit			
	Cool			
	Neutral			
	Warm			
	User	Exit		
		Red		
		Green		
Blue				
Image Adjust	Exit			
	Auto Adjust*			
	H. Position			
	V. Position			
	Clock*			
	Phase*			
	Sharpness	Exit		
		1		
		2		
3				
4				

		5	
	Video Adjust	Mode	Exit
			Full
			AspectRatio
Language			Exit
			English
			French
			German
			Italian
			Polish
			Spanish
			Dutch
			Czech
			Russian
			Japanese
			Simplified Chinese
Setup			Exit
		OSD Position	Exit
			H. Position
			V. Position
		OSD Time Out	
Display Information			On
			Off
Reset			Yes
			No

## 6.4 Main Menu

---

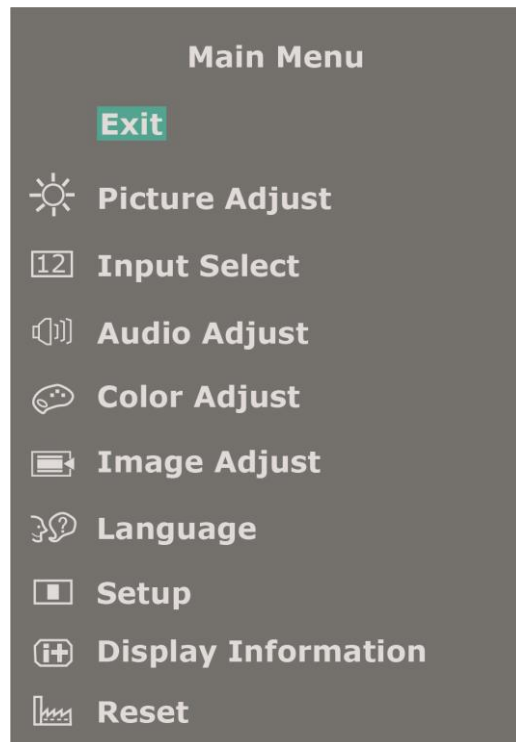


Image 6-4 Main OSD menu

### 6.4.1 Exit

To exit the OSD menu.

### 6.4.2 Picture Adjust

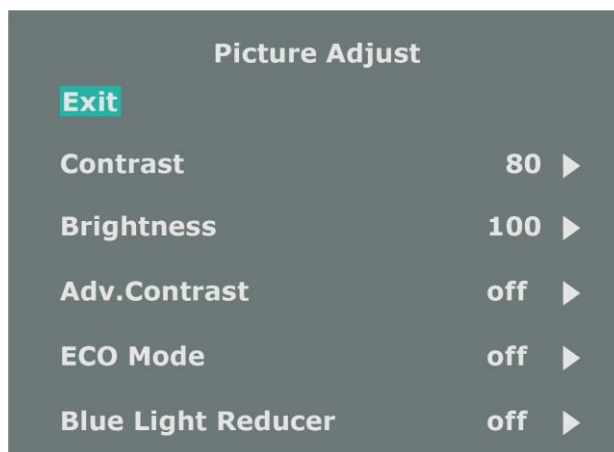


Image 6-4-2 Picture Adjust OSD menu

- Exit: To exit the Picture Adjust of the OSD menu.



#### 6.4.2.1 Contrast

This function allows the user to adjust the contrast setting of the monitor manually.



Image 6-4-2-1 Contrast OSD menu

#### 6.4.2.2 Brightness

This function allows the user to adjust the monitor's brightness setting manually.

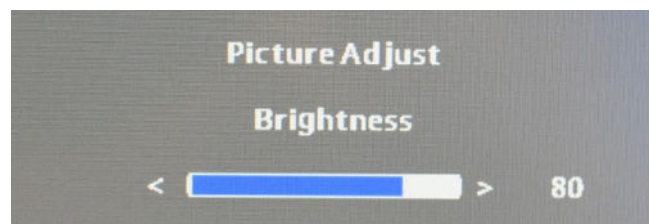


Image 6-4-2-2 Brightness OSD menu

#### 6.4.2.3 Adv. Contrast

This function allows the user to enable or disable Adv. Contrast function manually.



Image 6-4-2-3 Adv. Contrast OSD menu

#### 6.4.2.4 ECO Mode

This function allows the user to select setting of ECO Mode manually.

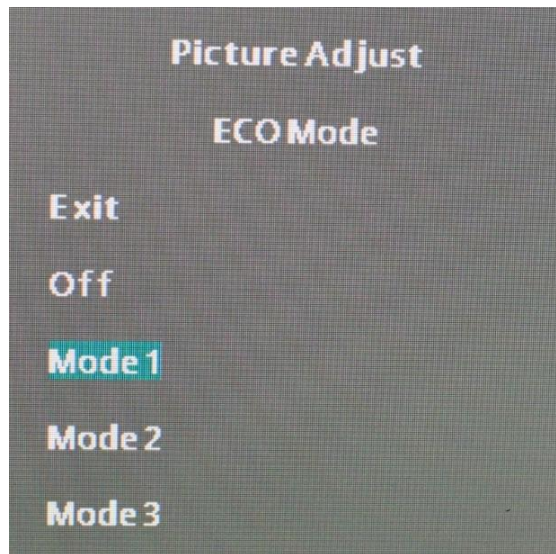


Image 6-4-2-4 ECO Mode OSD menu

- Exit: To exit the ECO Mode of the OSD menu.

#### 6.4.2.5 Blue Light Reducer

This function allows the user to select setting of Blue Light Reducer manually.

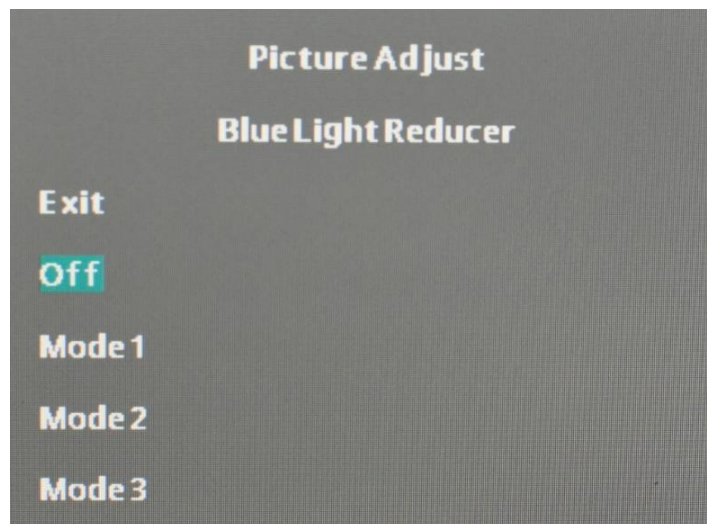


Image 6-4-2-5 V. Blue Light Reducer OSD menu

- Exit: To exit the Blue Light Reducer of the OSD menu.

### 6.4.3 Input Select

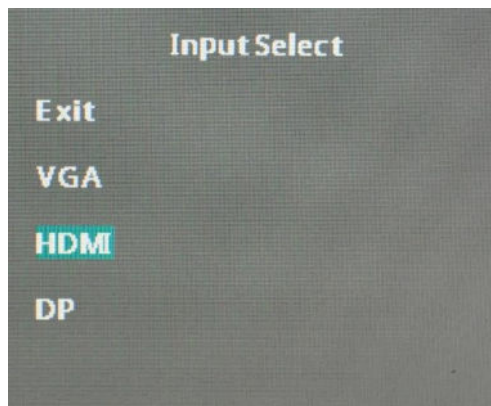


Image 6-4-3 Input Select OSD menu

- Exit: To exit the Input Select of the OSD menu.
- Auto: Allows users to Enable the Auto Select function of the display setting.

### 6.4.4 Audio Adjust

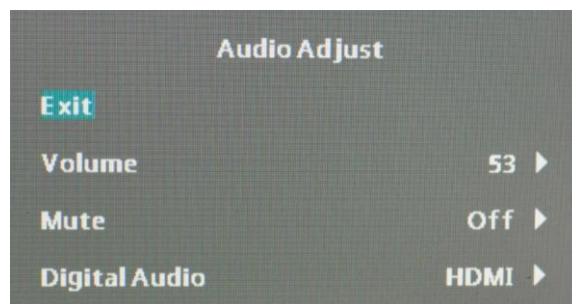


Image 6-4-6 Audio Adjust OSD menu

- Exit: To exit the Audio Adjust of the OSD menu.

#### 6.4.4.1 Volume

This function allows users to adjust the audio output of the display setting.



Image 6-4-4-1 Volume OSD menu

#### 6.4.4.2 Mute

This function allows users to Mute (On) & Unmute (Off) the audio output of the display setting.

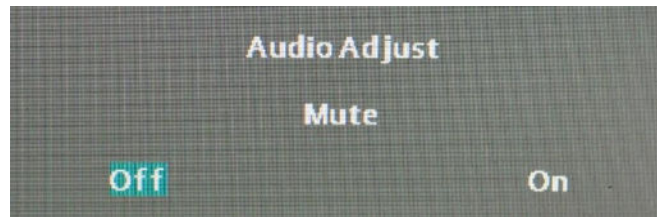


Image 6-4-4-2 Mute OSD menu

#### 6.4.4.3 Digital Audio

This function allows users to select the audio input source of the display setting. Digital (HDMI or DisplayPort) & Line-In audio input sources are available.

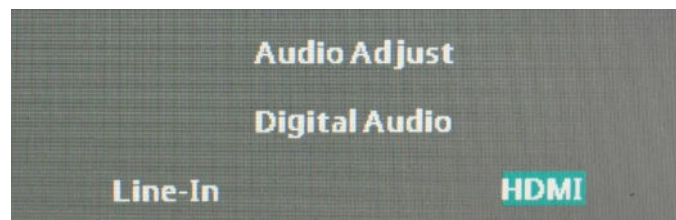


Image 6-4-4-2 Digital Input OSD menu

#### 6.4.5 Color Adjust

This function allows users to select preset color temperature of the display setting. Preset color temperatures are 9300K, 6500K, 5400K & User adjustable color temperature.

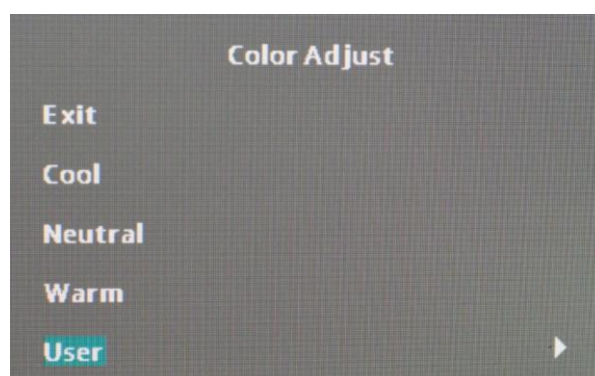


Image 6-4-5 Color Adjust OSD menu

- Exit: To exit the Color Adjust of the OSD menu.

### 6.4.5.1 User

User: User can adjust and set tones.

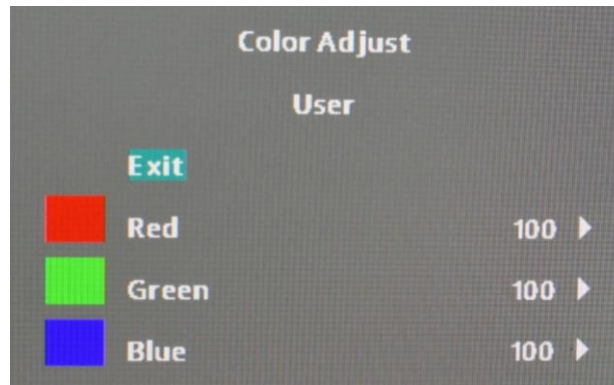


Image 6-4-5-2 User OSD menu

- Red: Adjust red and equivalent colors at the range from 0 to 100. The greater the value is, the deeper the color is, and vice versa.
- Green: Adjust green and equivalent colors at the range from 0 to 100. The greater the value is, the deeper the color is, and vice versa.
- Blue: Adjust blue and equivalent colors at the range from 0 to 100. The greater the value is, the deeper the color is, and vice versa User can adjust and set tones.

### 6.4.6 Image Adjust

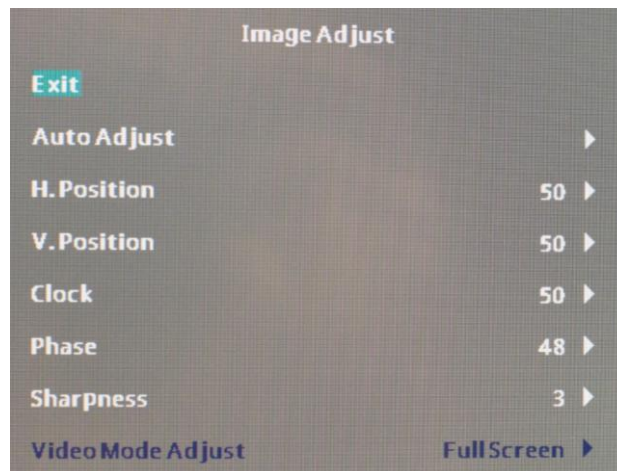


Image 6-4-6 Image Adjust OSD menu

- Exit: To exit the Clock / Phase of the OSD menu.
- Auto Adjust : Automatically adjust the analog settings of the image.



#### 6.4.6.1 H. Position (Analog Video Source)

The function allows user to manually adjust the image position horizontally on the screen.

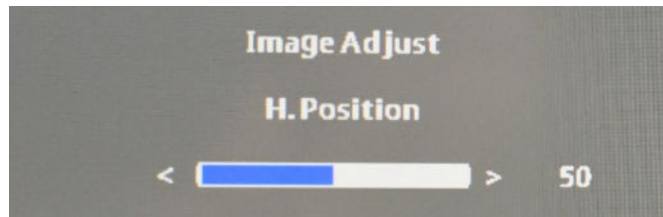


Image 6-4-6-1 H. Position OSD menu

#### 6.4.6.2 V. Position (Analog Video Source)

The function allows user to manually adjust the image position vertically on the screen.

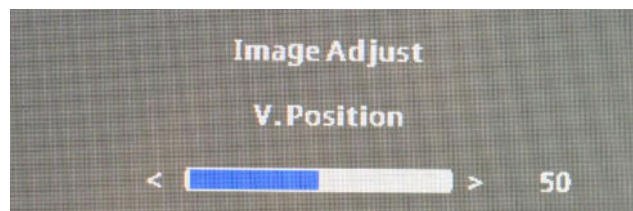


Image 6-4-6-2 V. Position OSD menu

#### 6.4.6.3 Clock (Analog Video Source)

The function allows users to adjust the clock of the display setting manually when displaying an analog video signal.

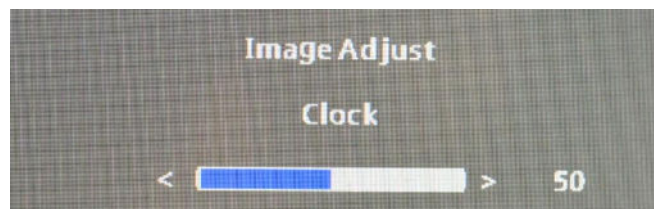


Image 6-4-6-3 Clock OSD menu

#### 6.4.6.4 Phase (Analog Video Source)

The function allows users to adjust the phase of the display setting manually when displaying an analog video signal.

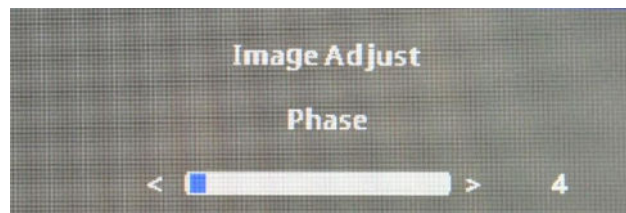


Image 6-4-6-4 Phase OSD menu

#### 6.4.6.5 Sharpness

The function allows users to adjust the sharpness of the display setting manually.

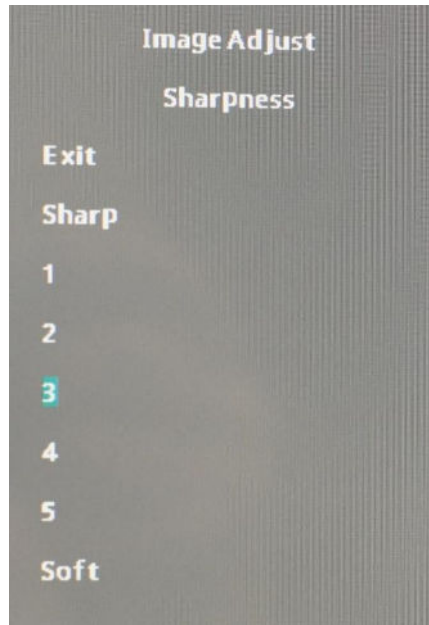


Image 6-4-6-5 Sharpness OSD menu

#### 6.4.6.6 Video Mode Adjust

The function allows users to select the video mode adjustment of the display setting manually.



Image 6-4-6-5 Video Mode Adjust OSD menu

#### 6.4.7 Language

- Exit: To exit the Language of the OSD menu.
- English, French, German, Italian, Polish, Spanish Dutch, Czech, Russian, Japanese & Simplified Chinese OSD menu languages are available for users to select preferred languages.



Image 6-4-7 Language OSD menu

#### 6.4.8 Setup

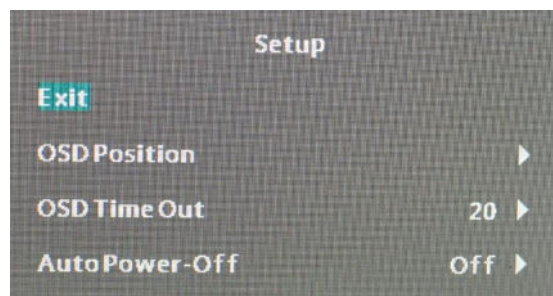


Image 6-4-8 Setup OSD menu

- Exit: To exit the Setup of the OSD menu.



### 6.4.8.1 OSD Position

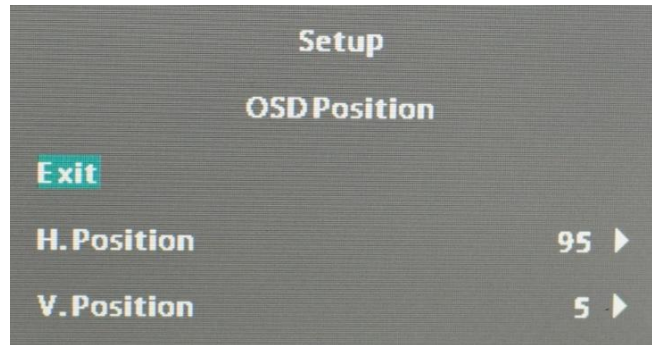


Image 6-4-8-1 OSD Position OSD menu

- Exit: To exit the OSD Position of the OSD menu.
- OSD H. Position: Allows users to set the OSD menu in horizontal position on the display.
- OSD V. Position: Allows users to set the OSD menu in vertical position on the display.

### 6.4.8.2 OSD Time Out

The function allows users to adjust the OSD time out of the display setting manually.

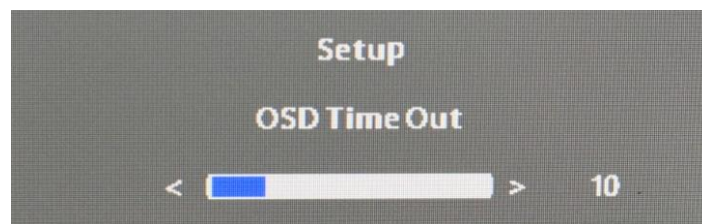


Image 6-4-8-2 Management OSD menu

### 6.4.8.3 Auto Power Off

The function allows users to enable or disable the auto power off of the display setting manually.

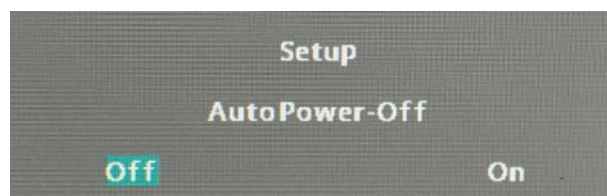


Image 6-4-8-3 Auto Power Off OSD menu

### 6.4.9 Display Information

The function provides users information of input source signal.

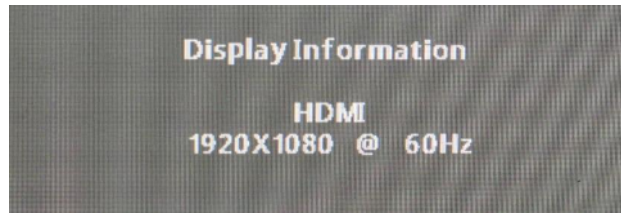


Image 6-4-9 Display Information OSD menu

### 6.4.9.6 Reset

- Yes: Allows users to return the display settings back to factory default settings.

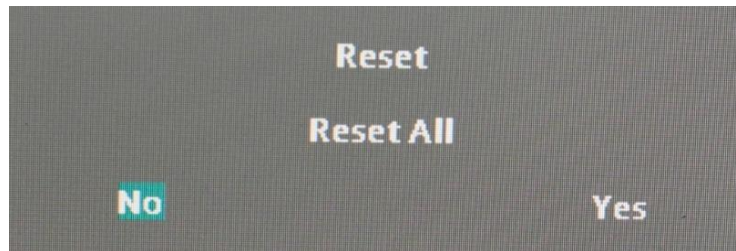


Image 6-5-6 Reset OSD menu

## 6.5 Supported Video Modes

---

※Compliant Graphic Signal Timing (VGA, HDMI, & DP)

Resolution	Pixel-rate [MHz]	Line-rate [kHz]	Frame-rate [Hz]	VGA	HDMI	DP
640x480	25.200	31.500	60.000	○	○	○
640x480	31.500	37.861	72.809	○		
640x480	31.500	37.500	75.000	○		
720x400	28.322	31.469	70.087	○	○	○
800x600	36.000	35.156	56.250	○		
800x600	40.000	37.879	60.317	○	○	○
800x600	50.000	48.077	72.188	○		
800x600	49.500	46.875	75.000	○		
1024x768	65.000	48.363	60.004	○	○	○
1024x768	75.000	56.476	70.069	○		
1024x768	78.750	60.023	75.029	○		
1280x1024	108.000	63.981	60.020	○	○	○
1280x1024	135.000	79.976	75.025	○		
1600x1200	162.000	75.000	60.000	○	○	○
1920x1080	148.504	67.502	60.002	◎	◎	◎

## 7. Technical Specifications

<b>Product description</b>	21.5" LCD Touch Screen Monitor
<b>Screen technology</b>	AHVA
<b>Active screen size (diagonal)</b>	546.1 mm (21.5")
<b>Active screen size (H x V)</b>	476.64 mm (H) x 267.78mm (V)
<b>Aspect ratio (H:V)</b>	16:9
<b>Resolution</b>	FHD (1920x1080)
<b>Pixel pitch</b>	0.247mm (H) x 0.247mm (V)
<b>Color support</b>	16.7M colors (8-Bits RGB)
<b>Viewing angle (H, V)</b>	178 / 178 (CR=10)
<b>Panel Brightness</b>	250 (Typ.), 200 (Min.) cd/m <sup>2</sup>
<b>Response time</b>	<22ms (Typ.)
<b>Housing color</b>	Front Bezel: Black- 5816 Rear Cover: Black- 5816 IO Cover: Black-80007 Control Keys: Aluminum/Grey-5817 Stand: Black- 5816
<b>Video input signals</b>	1xDisplay Port 1xHDMI 1xD-SUB 15 Pin (VGA)
<b>Audio</b>	Phone Jack 3.5mm in x1, out x1
<b>Power Rating</b>	90-264 Vac, 47-63 Hz
<b>Power consumption (maximum)</b>	<35W
<b>Power consumption (stand-by)</b>	<0.5W
<b>OSD languages</b>	English, French, German, Italian, Polish, Spanish, Dutch, Czech, Russian, Japanese & Simplified Chinese

<b>Dimensions (W x H x D)</b>	537x387x175 mm
<b>Carton Dimensions (W x H x D)</b>	612 x 219 x 475 mm
<b>Net Weight with stand</b>	7.9 kg ±0.2kg
<b>Tilt Angle</b>	-5 ±2 and 30 ±2 degrees
<b>Mounting standard</b>	VESA (100 x 100mm)
<b>Certifications</b>	CE(EN 55032;EN55035;ROHS;WEEE); FCC part 15 subpart B; ICES-003, UL 62368-1,CAN/CSA-C22.2 No.62368-1-14
<b>Supplied accessories</b>	AC Power Cord, HDMI Cable, USB cable, Stand
<b>Operating temperature</b>	10°C to 40°C
<b>Storage temperature</b>	-20°C to 60°C
<b>Operating humidity</b>	30%-75% (performance; non-condensing)
<b>Storage humidity</b>	10%-90% (non-condensing)
<b>Operation altitude</b>	16,404 feet (5000m)

## 8. Outline Dimension

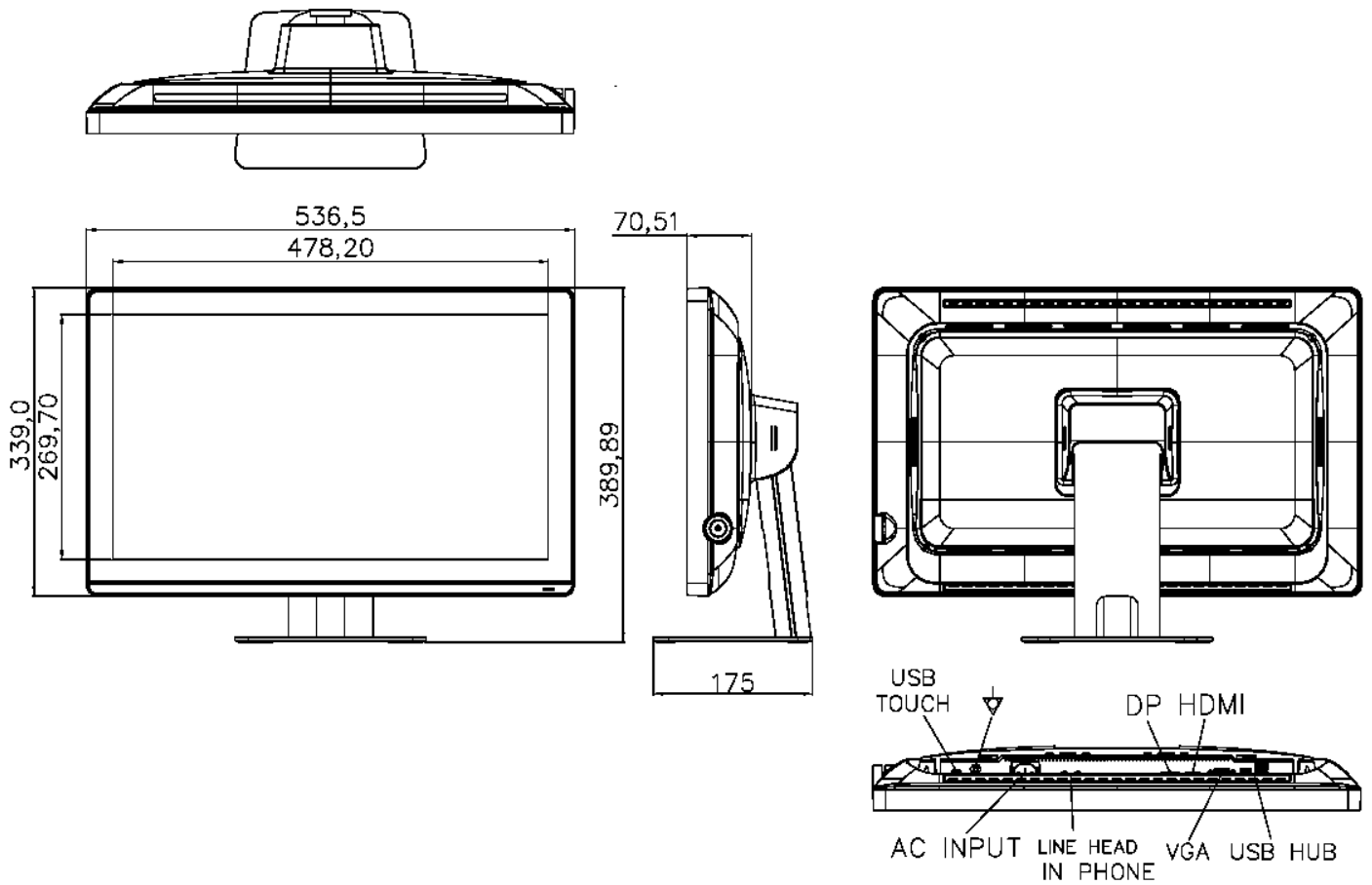


Image 6-8-1 Outline dimension

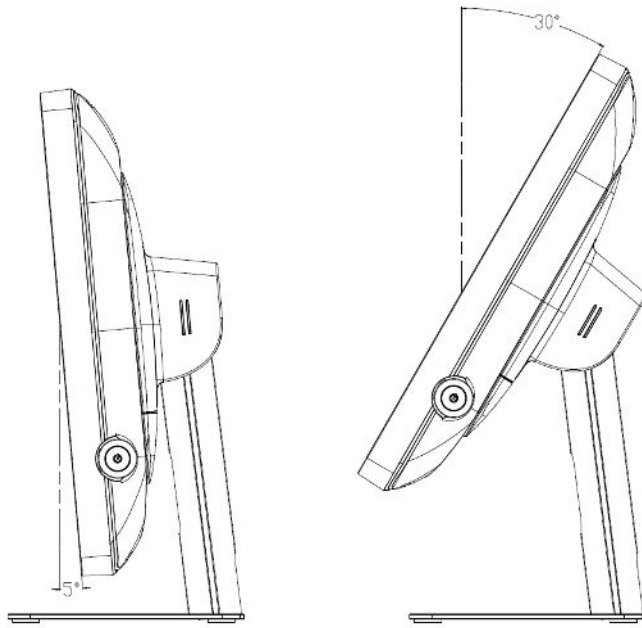


Image 6-8-2 Outline dimension with monitor tilt  $-5^{\circ}$  forward &  $30^{\circ}$  backward

# TSITOUCH

1 Millennium Drive, Suite 3  
Uniontown, PA 15401

Tel: 802-874-0123 (main)  
[www.tsitouch.com](http://www.tsitouch.com)

## **TSI TOUCH CUSTOMER SERVICE**

Tel: 802-874-0123, Option 2  
Email: [support@tsitouch.com](mailto:support@tsitouch.com)

TSI Touch Customer Service is available from 8:00 am to 8:00 pm Eastern Standard Time,  
Monday thru Friday except on national holidays.

*Customer Service can also be reached by visiting our website at [www.tsitouch.com](http://www.tsitouch.com)*

**TSI21PDAVAZZZZ**

User Guide