

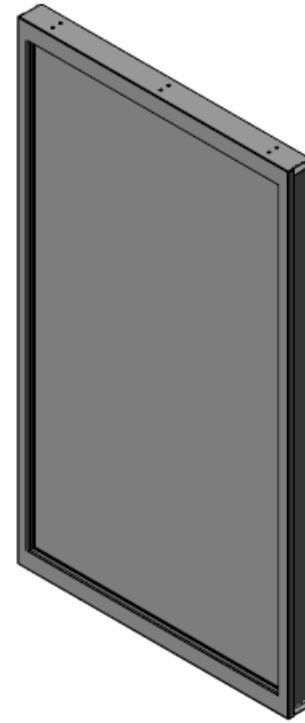


OUTDOOR INFRARED TOUCH SOLUTION

55" Outdoor Touchscreen Solution

TSI Touch's Outdoor Infrared (IR) solution for Peerless-AV's 55" XHB554 monitors allow for a highly accurate touchscreen experience. Through the use of Infrared technology, virtually any input can be detected (pen/stylus, user's fingers, palms, gloved fingers).

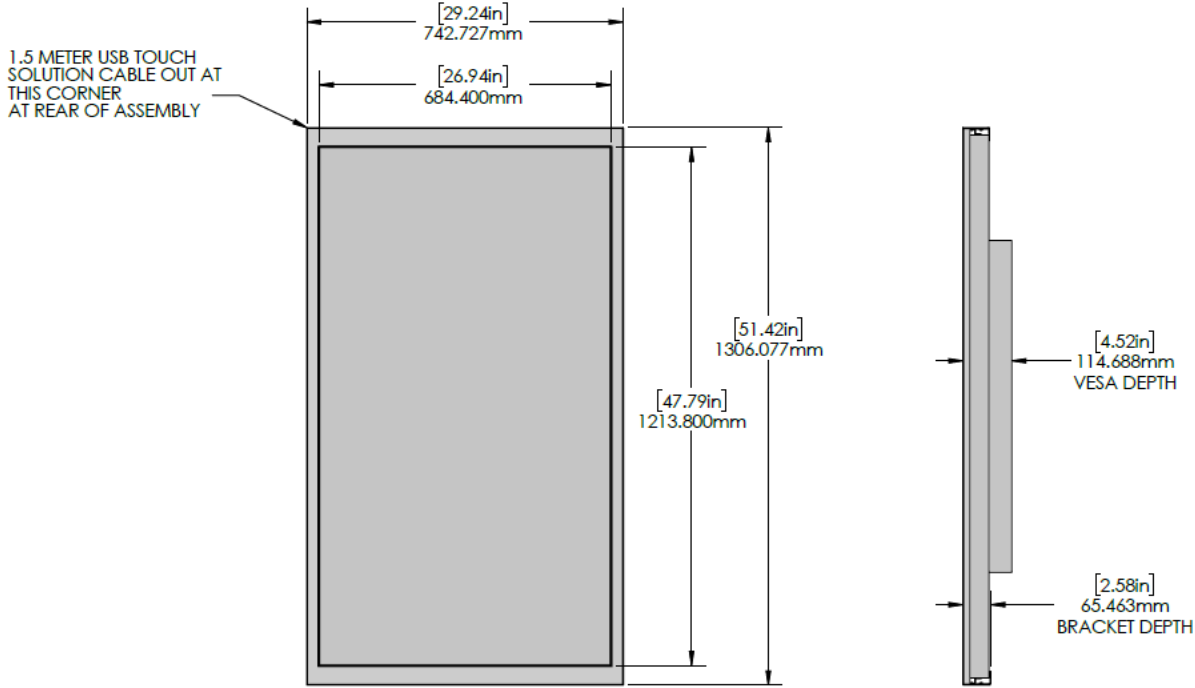
This solution utilizes stainless steel and is compatible with Peerless-AV's Smart City Kiosk. Our use of steel increases durability while protecting the display. When paired with an outdoor display our touch solution will withstand the harshest of weather and most vigorous of cleanings. Best of all, our touch solution is sunlight immune, designed to work day or night, rain or shine.



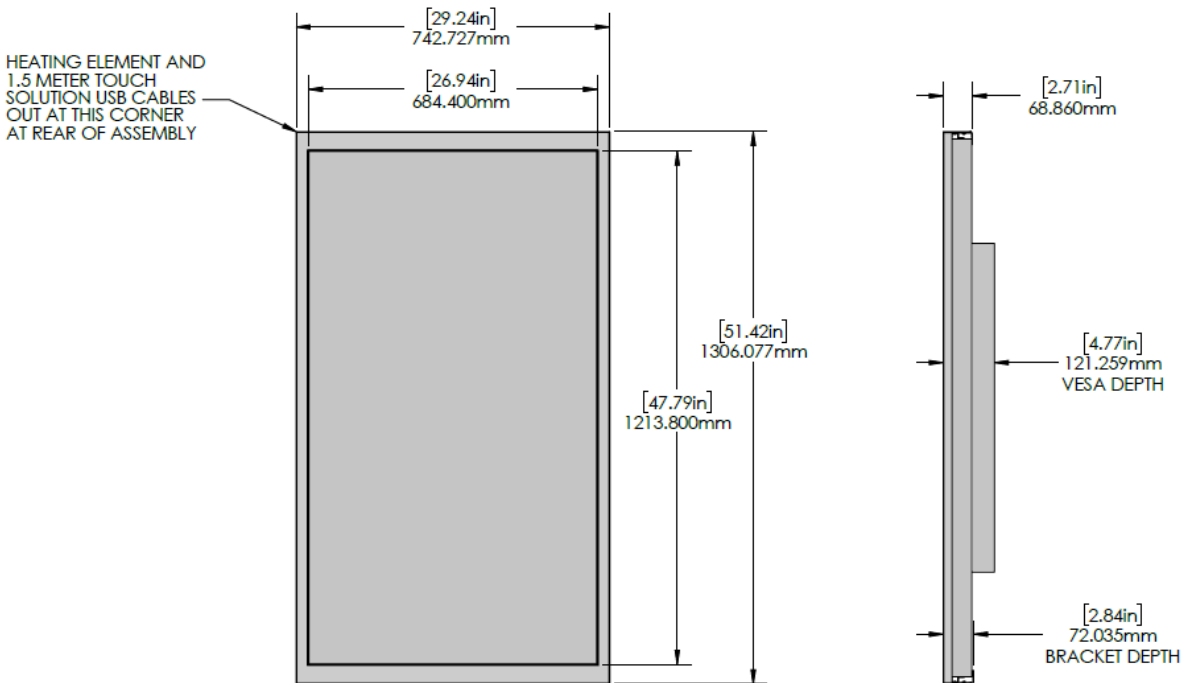
SPECIFICATION		DETAIL
Product Name	Non-Heated Touchscreen Only	Heated Touchscreen Only
Part Number	TSI55NYAGGA2ZPK	TSI55NYAGGA3ZPK
Touchscreen Type	Infrared	
Number of Touch Points	10 points simultaneous touch minimum	
Touchscreen Interface	USB 2.0 Type A Male connector with 57" cable	
Touchscreen Power	USB 5VDC Maximum 1.5W	
Optional Heating Element	AC 120C .9A Maximum 105W	
Touch Response Time	≤15ms	
Touch Accuracy	+- 2mm (Over 90% Area)	
Minimum Touch Object Size	6mm	
Operating System Compatability	Microsoft® Windows®, Google® Chrome®, Android®, MacOS® , and many popular Linux® Distributions - HID Compliant	
Operating Temperature	-10°~40° C	-40°~40° C
Touchscreen IP Rating	IP65	
Integrated Dimensions (W x H x D)	29.24" x 51.42" x 4.52"	29.24" x 51.42" x 4.77"

Viewable Area	26.94" x 47.79"	
Touchscreen Weight	13.22 lbs	15.65 lbs
Packaged Weight	20.2 lbs	22.2 lbs
Touchscreen Service and Support	3 Year Repair & Return Warranty	
In the Box	Touchscreen, Quick Setup Guide, Warranty Card, Power Cord	

Non-Heated Touchscreen



Heated Touchscreen



*Drawings not to scale.

For more information, please visit www.tsitouch.com, email sales@tsitouch.com, or call 802-874-0123

For more information, please visit www.tsitouch.com

The information contained herein is accurate as of the date of publication.