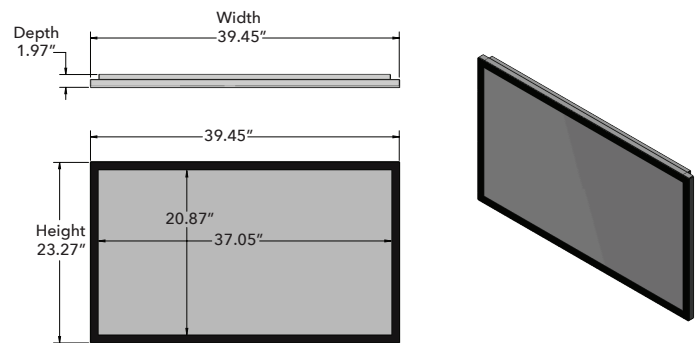


## Samsung 43" Sealed Projected Capacitive Interface



Samsung Authorized Solution  
**SAMSUNG**



### Advanced Interactive Collaboration Solution

TSitouch's line of projected capacitive touch displays are engineered specifically for consumer and commercial customers who are looking for a rugged and durable touch screen without having to sacrifice on image quality. Featuring a seamless flat front bezel design, the monitor can easily be wiped clean, thereby eliminating having to worry about dust and dirt collection, which helps extend the use of your display and enhances your touch experience.



#### Multi-Touch Screen

True multi-touch support with up to forty simultaneous touch points for all major operating systems



#### Easy Integration

Unrivaled simplicity makes installation easier and faster



#### Ultra-Fast Response Time

Allows for split second reactions between touch point and screen



#### HID Compliant

Maximum compatibility with numerous operating systems, plug-and-play



#### Superior Design

Zero bezel flat front, tempered glass touch screen, excellent optical performance



#### Easy to Clean

Water and dust resistant

### Specifications

Display Compatible	PM43H
Part Number	TSI43PSQSDHWCZZ
Protective Glass	1/8" Tempered Safety Glass
Frame Material	Black Powder Coated Cold Rolled Steel
Touch Technology	PCAP
Touch Points	40 Point
Response Time	6 - 16ms
Touch Accuracy	+/- 2mm (Over 99% Area)
Interface	Type A USB/M
Communication	USB 2.0
Power Supply Mode	USB
Width/Height/Depth Including Monitor	39.45" x 23.27" x 1.97"
Weight (Without Monitor)	TBD
Boxed Weight	TBD
Boxed Dimensions	42.00" x 27.00" x 7.50"
OS Support	Windows, Google Chrome, Android, Mac, Linux