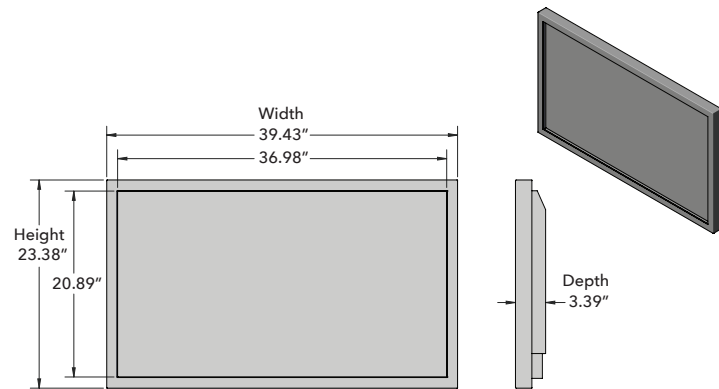


## NEC V423 42" ShadowSense Touch Screen Interface

### Advanced Interactive Collaboration Solution

ShadowSense™ based solutions which allow for unparalleled performance when compared to any other interactive technology. Features such as superior palm rejection algorithms combined with the ability to accurately detect shape and size of touch objects create a user experience that is unrivaled in the marketplace. These features allow ShadowSense™ solutions to accurately detect the touching objects such as a pen/stylus, user's fingers, palm, or a special eraser, and report this data to the operating system.



**Multi-Touch Screen**  
 True multi-touch support with up to ten simultaneous touch points for all major operating systems



**Easy Integration**  
 Unrivaled simplicity makes installation easier and faster



**Ultra-Fast Response Time**  
 Allows for split second reactions between touch point and screen



**HID Compliant**  
 Maximum compatibility with numerous operating systems, plug-and-play



**Superior Design**  
 Full steel chassis combined with anti-reflective tempered glass provides additional protection to the LCD panel



**Sunlight Immune**  
 Enhanced filtering and analogue sensors allow operation in bright conditions up to full sunlight

### Specifications

Display Compatible	NEC V423
Part Number	TSI42PNDUSAHRZZ
Protective Glass	1/8" Anti-reflective Tempered Glass
Frame Material	Black Powder Coated Cold Rolled Steel
Touch Technology	ShadowSense
Touch Points	10 Point
Response Time	6 - 16ms
Touch Accuracy	+/- 2mm (Over 99% Area)
Interface	Type A USB/M
Communication	USB 2.0
Remote Control Receiver	Extender Needed
Receiver Extender	KT-RC
Power Supply Mode	5V/4A Power adapter
Width/Height/Depth Including Monitor	39.43" x 23.38" x 3.39"
Weight Including Monitor	TBD
Boxed Weight	TBD
Boxed Dimensions	TBD
OS Support	Windows, Google Chrome, Android, Mac, Linux