

Video Wall Glass Retension Bezel System (GRBS)*

Interactive and Protective Overlay Solutions

Typical video walls are made up of displays with ultra-narrow bezels which range anywhere from 1 to 5 mm in thickness. Ultra-narrow bezels provide users with an enhanced viewing experience and are aesthetically pleasing, but they leave the displays vulnerable to damage. Displays with ultra-narrow bezels are not designed to withstand interactions with the general public. In the event that a video wall is mounted in an area where it can be accessed by the general public, there is a high probability that the displays will be damaged, requiring repair or replacement.

The traditional method for protecting large video wall installations is to bond a piece of cover glass directly to each individual display. There are several drawbacks associated with bonding cover glass to displays: lead time, serviceability, cost, and warranty support of the display. In the event that a display requires repair or replacement, the bonded cover glass must be debonded before it is returned to the OEM. This causes several issues: end users incur significant freight costs, the process is time consuming, and displays are frequently damaged during the debonding process. Once the unit is

repaired or replaced, the lead time and expense to have glass re-bonded will be re-incurred.

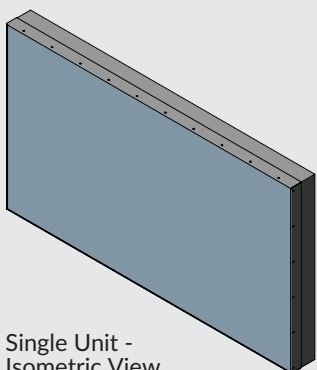
The TSi touch Glass Retention Bezel System (GRBS)* provides an alternative solution to bonding cover glass. The GRBS is a cost effective, serviceable, and modular solution that allows protective glass (clear, anti-reflective, and anti-glare) to be mounted directly to each display, providing protection to the OEM bezel and displays' panel. In the event of a monitor failure, the GRBS can be removed, avoiding any issues associated with servicing a bonded display.

The GRBS consists of four precision machined metal bezels, 1/8" tempered cover glass, and all mounting screws (per display). Each kit is custom designed to be a perfect fit for each make and model of display. The GRBS does NOT block any of the viewable display and does NOT interfere with any interactive technology. With shorter lead times, lower costs, and simplified life-cycle support, TSi touch's GRBS provides the perfect solution for protecting your video wall investment.

Up to 500" Diagonal Interactive Solution and Limitless Protective Overlay Solution

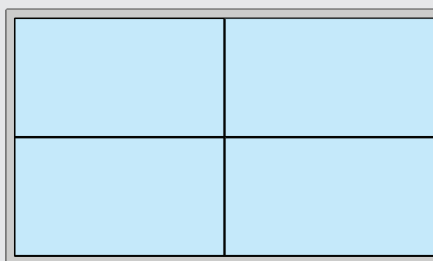


GRBS Single Unit



Single Unit - Isometric View

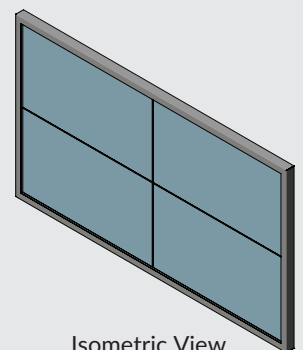
Full Interactive Video Wall With GRBS



Front View



Side View



Isometric View