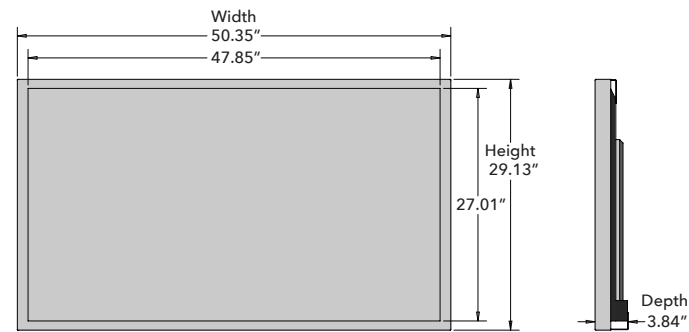


NEC E556 55" Touch Screen Overlay

Advanced Interactive Collaboration Solution

The TSItouch interface is an Infrared (IR) based solution, which allows for a high accuracy interactive experience. The usage of IR technology allows for virtually any input to be detected (pen/stylus, user's fingers, palms, gloved fingers). The TSItouch interface is a full steel chassis integrated with anti-reflective tempered cover glass, which increases durability and optical clarity, while protecting the display.



Multi-Touch Screen
 True multi-touch support with up to six simultaneous touch points for all major operating systems



Easy Integration
 Unrivaled simplicity makes installation easier and faster



Ultra-Fast Response Time
 Allows for split second reactions between touch point and screen



HID Compliant
 Maximum compatibility with numerous operating systems, plug-and-play



Superior Design
 Full steel chassis combined with anti-reflective tempered glass provides additional protection to the LCD panel



Customizable
 Custom colors and silk screening available

Specifications

Display Compatible	NEC E556
Part Number	TSI55NNEJR6CRZZ
Protective Glass	1/8" Anti-Reflective Tempered Glass
Frame Material	Black Powder Coated Cold Rolled Steel
Touch Technology	IR
Touch Points	6 Point
Response Time	6 - 16ms
Touch Accuracy	+/- 2mm (Over 99% Area)
Interface	Type A USB/M
Communication	USB 2.0
Remote Control Receiver	Extender Not Needed
Receiver Extender	N/A
Power Supply Mode	USB
Width/Height/Depth Including Monitor	50.35" x 29.13" x 3.84"
Weight (Without Monitor)	TBD
Boxed Weight	TBD
Boxed Dimensions	53.50" x 33.00" x 7.50"
OS Support	Windows, Google Chrome, Android, Mac, Linux