

TSI TOUCH

INFRARED TOUCH SOLUTION

75" Integrated Touchscreen Display

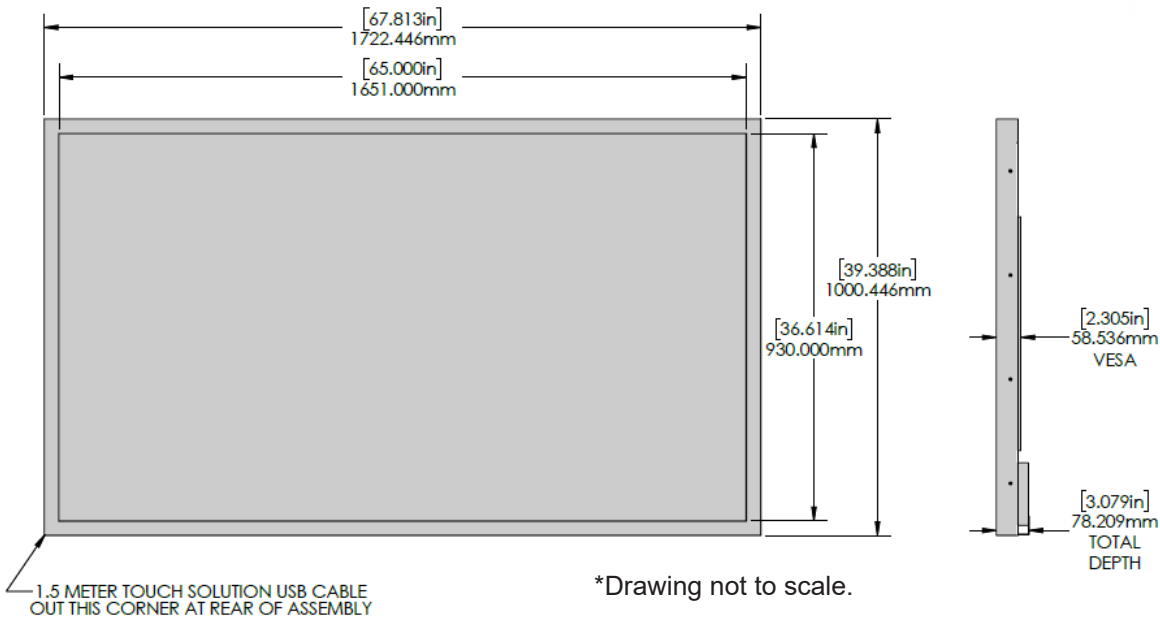
TSI Touch's Infrared (IR) solution for LG®'s 75" UH5J-H Series monitors allows for a highly accurate touchscreen experience. Through the use of Infrared technology, virtually any input can be detected (pen/stylus, user's fingers, palms, gloved fingers).

Our all-metal bezel construction, combined with high strength glass, adds considerable protection to the display, while also keeping your content crisp and bright.



SPECIFICATION	DETAIL	
Product Name	Touchscreen only	75UH5J-H with Integrated Touchscreen
Part Number	TSI75NL12TACCZZ	TSI75PLADTACCZZ
Touchscreen Type	Infrared	
Number of Touch Points	10 points simultaneous touch minimum	
Touchscreen Interface	USB 2.0 Type A Male connector with 57" cable	
Touchscreen Power	USB 5VDC Maximum 1.5W	
Touch Response Time	≤8ms	
Touch Accuracy	+- 1mm	
Minimum Touch Object Size	6mm	
Orientation Compatibility	Landscape, Portrait	
Brightness (w/touchscreen)	N/A	445 nit
Brightness (w/o touchscreen)	N/A	500 nit
Display Resolution	3840 x 2160	
Contrast Ratio	1,100:1	
Viewing Angle	178/178	

Aspect Ratio	16:9
Video Inputs	HDMI (3)
Audio Output	Stereo Mini Jack
Operating System Compatability	Microsoft® Windows®, LG® SoC, Google® Chrome®, Android®, MacOS® , and many popular Linux® Distributions - <i>HID Compliant Compatability</i>
Display Power Supply	AC 100 - 240 V, 50/60 Hz
Display Power Consumption	Typical: 180 Watts/Max: 260 Watts
Operating Temperature	0°~40° C
Humidity	10~80% Non-condensing
Integrated Dimensions (W x H x D)	67.81" x 39.38" x 3.07"
Viewable Area	65.0" x 36.61"
Integrated Display Weight	160.7 lbs.
Packaged Weight	225 lbs.
VESA Pattern	600 x 400 mm
Recommended Duty Cycle	24/7
Service and Support	3 Year Repair & Return Warranty
In the Box	Integrated Touchscreen Display, Quick Setup Guide, Warranty Card, Power Cord, Remote Controller, Batteries



For more information, please visit
www.tsitouch.com,
 email sales@tsitouch.com,
 or call 802-874-0123

Specifications and designs are subject to change without notice. Packaged weights are approximate.