



# PCAP TOUCH SOLUTION

## 32" Integrated Touchscreen Display

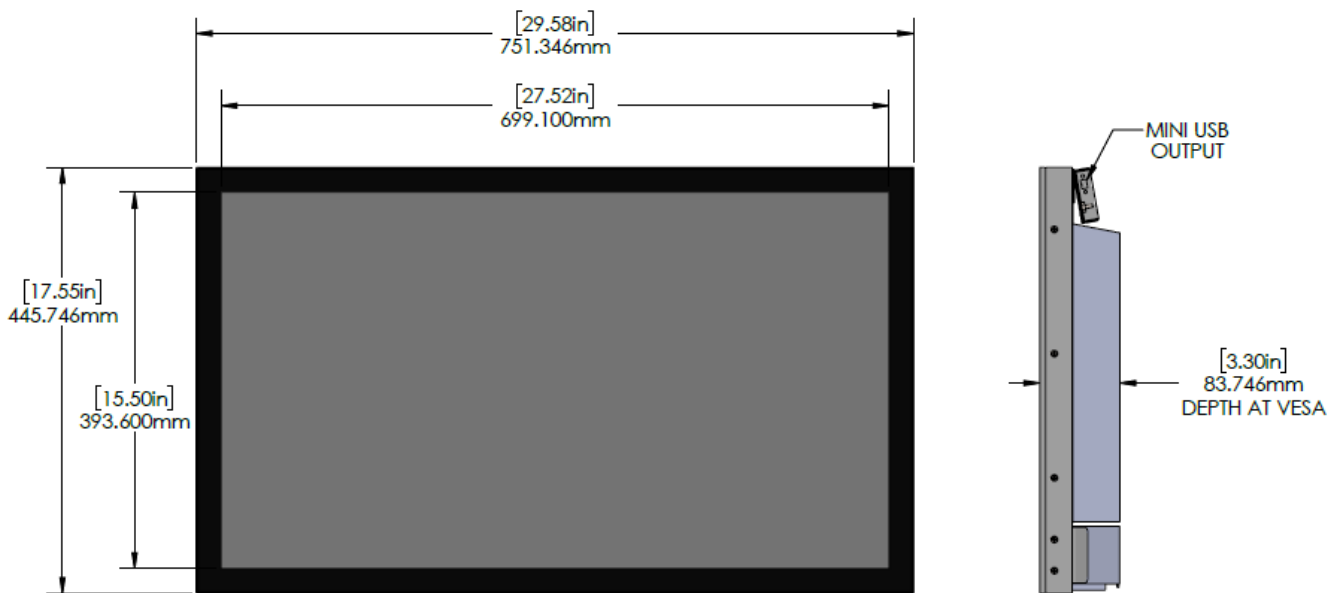
TSi Touch's Projected Capacitive (PCAP) Metal Mesh solution for Sony®'s 32" BRAVIA Series monitors allows for a highly accurate touchscreen experience. Through the use of advanced Metal Mesh sensor technology, coupled with a state of the art controller, our PCAP touch solution provides the interactive experience your end users expect, all while requiring little to no maintenance.

Our double pan design provides an edge to edge glass flat fronted touch experience, allowing for easy cleaning and sanitization, as well as providing considerable protection to the display.



SPECIFICATION		DETAIL
Product Name	Touchscreen only	FW-32BZ30J Integrated with Touchscreen
Part Number	TSI32N8AA6HJGZZ	TSI32P8AA6HJGZZ
Touchscreen Type	Projected Capacitive Metal Mesh	
Number of Touch Points	40 points simultaneous touch minimum	
Touchscreen Interface	USB 2.0 Type A Male connector with 2 meter cable	
Touchscreen Power	USB 5VDC Maximum 1.6W Peak	
Touch Response Time	5ms	
Touch Accuracy	0.53% of sensor area	
Minimum Object Separation	2.64%	
Orientation Compatibility	Landscape, Portrait	
Brightness (w/touchscreen)	N/A	264 nit
Brightness (w/o touchscreen)	N/A	300 nit
Display Resolution	3840 x 2160	
Contrast Ratio	3,000:1	
Viewing Angle	178/178	

Aspect Ratio	16:9
Video Inputs	HDMI (4)
Audio Output	Stereo Mini Jack
Operating System Compatability	Microsoft® Windows®, Sony® SoC, Google® Chrome®, Android®, MacOS® , and many popular Linux® Distributions - <i>HID Compliant Compatability</i>
Display Power Supply	AC 100 - 240 V, 50/60 Hz
Display Power Consumption	Max: 66 Watts
Operating Temperature	0°~40° C
Humidity	10~80% Non-condensing
Integrated Dimensions (W x H x D)	29.58" x 17.55" x 2.70"
Viewable Area	27.52" x 15.5"
Integrated Display Weight	32 lbs.
Packaged Weight	36 lbs.
VESA Pattern	100 x 200 mm
Recommended Duty Cycle	24/7
Service and Support	3 Year Repair & Return Warranty
In the Box	Integrated Touchscreen Display, Quick Setup Guide, Warranty Card, Power Cord, Remote Controller, Batteries



\*Drawing not to scale.

For more information, please visit  
[www.tsitouch.com](http://www.tsitouch.com),  
 email [sales@tsitouch.com](mailto:sales@tsitouch.com),  
 or call 802-874-0123

Specifications and designs are subject to change without notice. Packaged weights are approximate.