



# INFRARED TOUCH SOLUTION

## 43" Integrated Touchscreen Display

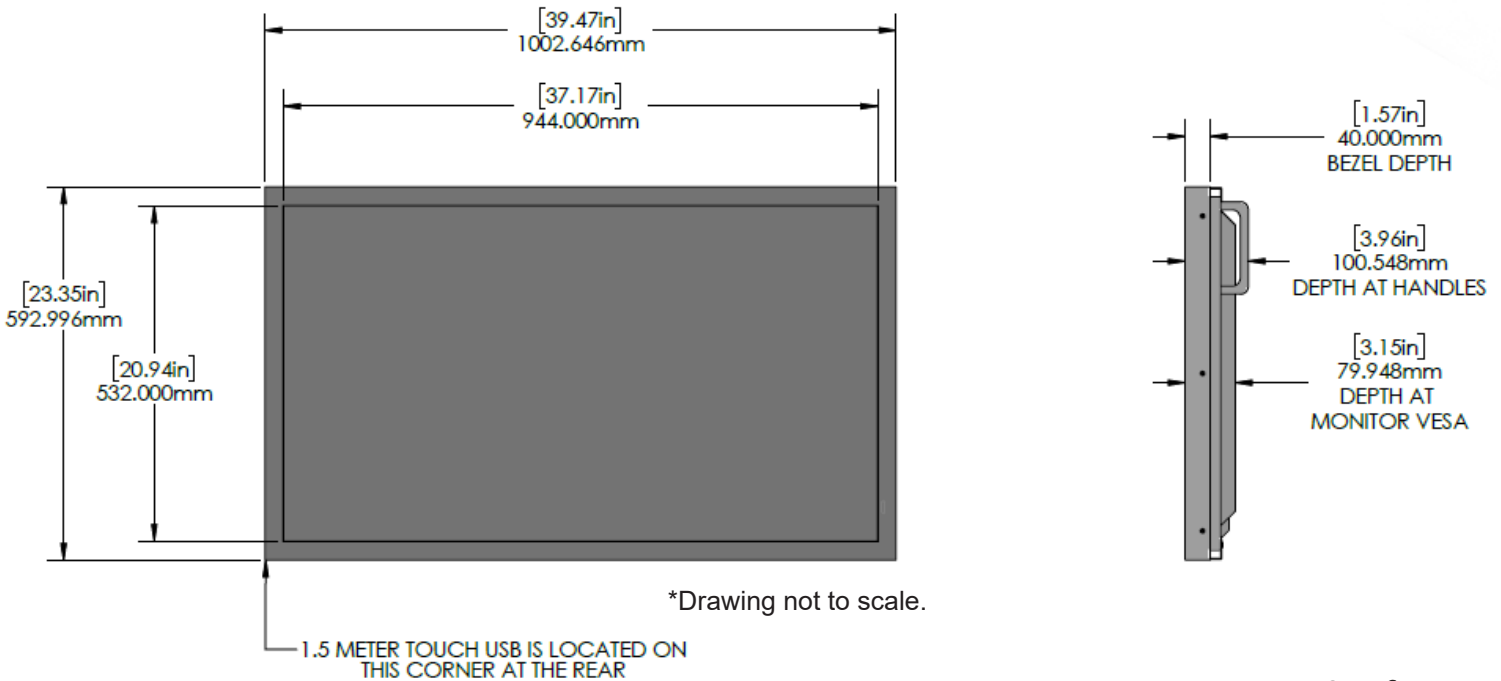
TSi Touch's Infrared (IR) solution for Sharp/ NEC's 43" ME series monitors allows for a highly accurate touchscreen experience. Through the use of Infrared technology, virtually any input can be detected (pen/ stylus, user's fingers, palms, gloved fingers).

Our all-metal bezel construction, combined with high strength glass, adds considerable protection to the display, while also keeping your content crisp and bright.



SPECIFICATION	DETAIL	
<i>Product Name</i>	Touchscreen only	ME431Integrated with Touchscreen
<i>Part Number</i>	TSI43NNAATACCZZ	TSI43PNAATACCZZ
<i>Touchscreen Type</i>	Infrared	
<i>Number of Touch Points</i>	10 points simultaneous touch minimum	
<i>Touchscreen Interface</i>	USB 2.0 Type A Male connector with 57" cable	
<i>Touchscreen Power</i>	USB 5VDC Maximum 1.5W	
<i>Touch Response Time</i>	≤8ms	
<i>Touch Accuracy</i>	+- 1mm	
<i>Minimum Touch Object Size</i>	6mm	
<i>Orientation Compatibility</i>	Landscape, Portrait	
<i>Brightness (w/touchscreen)</i>	356 nit	
<i>Brightness (w/o touchscreen)</i>	400 nit	
<i>Display Resolution</i>	3840 x 2160	
<i>Contrast Ratio</i>	≥8,000:1	
<i>Viewing Angle</i>	178/178	

Aspect Ratio	16:9
Video Inputs	HDMI 2.0 (2)
Audio Output	Stereo Mini Jack
Operating System Compatability	Microsoft® Windows®, Sharp-NEC® SoC, Google® Chrome®, Android®, MacOS®, and many popular Linux® Distributions - <i>HID Compliant Compatability</i>
Display Power Supply	AC 100 - 240 V, 50/60 Hz
Display Power Consumption	Typical: 80 Watts/Max: 175 Watts
Operating Temperature	-20-60°C
Humidity	10~80% Non-condensing
Integrated Dimensions (W x H x D)	39.47" x 23.35" x 3.96"
Viewable Area	37.17" x 20.94"
Integrated Display Weight	54.4 lbs.
Packaged Weight	62.2 lbs.
VESA Pattern	200 x 200 mm
Recommended Duty Cycle	18/7
Service and Support	3 Year Repair & Return Warranty
In the Box	Integrated Touchscreen Display, Quick Setup Guide, Warranty Card, Power Cord, Remote Controller, Batteries



For more information, please visit  
[www.tsitouch.com](http://www.tsitouch.com),  
 email [sales@tsitouch.com](mailto:sales@tsitouch.com),  
 or call 802-874-0123

Specifications and designs are subject to change without notice. Packaged weights are approximate.