



INFRARED TOUCH SOLUTION

50" Integrated Touchscreen Display

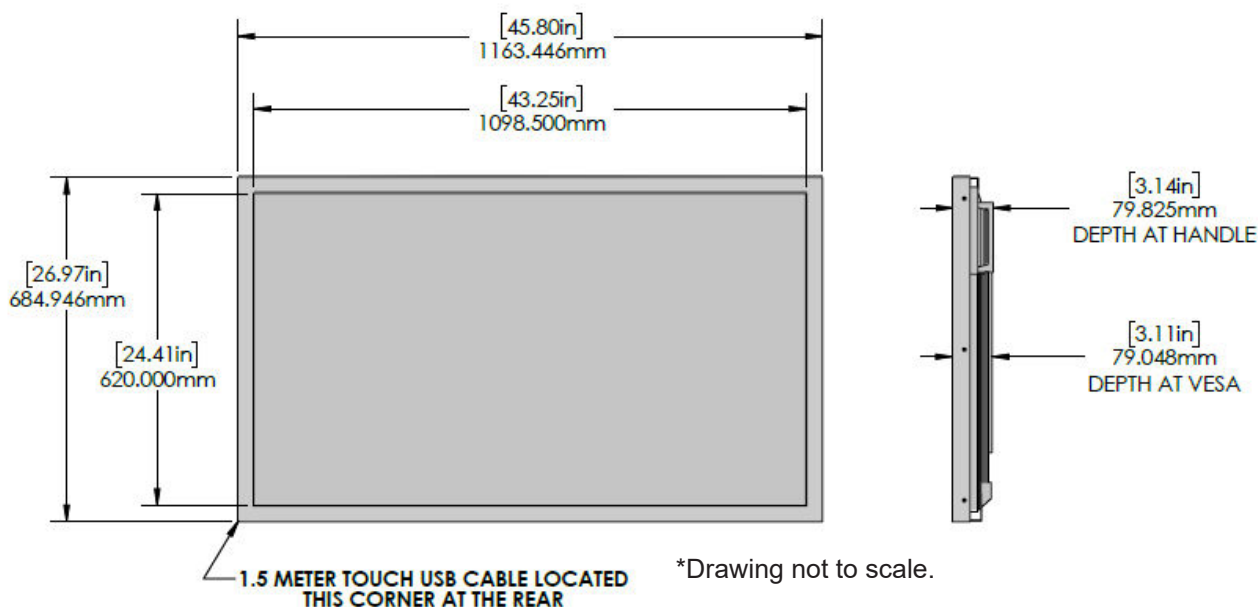
TSi Touch's Infrared (IR) solution for Sharp/ NEC's 50" ME series monitors allows for a highly accurate touchscreen experience. Through the use of Infrared technology, virtually any input can be detected (pen/ stylus, user's fingers, palms, gloved fingers).

Our all-metal bezel construction, combined with high strength glass, adds considerable protection to the display, while also keeping your content crisp and bright.



SPECIFICATION	DETAIL	
<i>Product Name</i>	Touchscreen only	ME501 Integrated with Touchscreen
<i>Part Number</i>	TSI50NNTNTACCZZ	TSI50PNTNTACCZZ
<i>Touchscreen Type</i>	Infrared	
<i>Number of Touch Points</i>	10 points simultaneous touch minimum	
<i>Touchscreen Interface</i>	USB 2.0 Type A Male connector with 57" cable	
<i>Touchscreen Power</i>	USB 5VDC Maximum 1.5W	
<i>Touch Response Time</i>	≤8ms	
<i>Touch Accuracy</i>	+- 1mm	
<i>Minimum Touch Object Size</i>	6mm	
<i>Orientation Compatibility</i>	Landscape, Portrait	
<i>Brightness (w/touchscreen)</i>	356 nit	
<i>Brightness (w/o touchscreen)</i>	400 nit	
<i>Display Resolution</i>	3840 x 2160	
<i>Contrast Ratio</i>	≥8,000:1	
<i>Viewing Angle</i>	178/178	

<i>Aspect Ratio</i>	16:9
<i>Video Inputs</i>	HDMI 2.0 (2)
<i>Audio Output</i>	Stereo Mini Jack
<i>Operating System Compatability</i>	Microsoft® Windows®, Sharp-NEC® SoC, Google® Chrome®, Android®, Ma-cOS®, and many popular Linux® Distributions - <i>HID Compliant Compatability</i>
<i>Display Power Supply</i>	AC 100 - 240 V, 50/60 Hz
<i>Display Power Consumption</i>	Typical: 85 Watts/Max: 210 Watts
<i>Operating Temperature</i>	-20-60°C
<i>Humidity</i>	10~80% Non-condensing
<i>Integrated Dimensions (W x H x D)</i>	45.80" x 26.97" x 3.14"
<i>Viewable Area</i>	43.25" x 24.41"
<i>Integrated Display Weight</i>	64.3 lbs.
<i>Packaged Weight</i>	72.1 lbs.
<i>VESA Pattern</i>	400 x 400 mm
<i>Recommended Duty Cycle</i>	18/7
<i>Service and Support</i>	3 Year Repair & Return Warranty
<i>In the Box</i>	Integrated Touchscreen Display, Quick Setup Guide, Warranty Card, Power Cord, Remote Controller, Batteries



For more information, please visit
www.tsitouch.com,
 email sales@tsitouch.com,
 or call 802-874-0123

Specifications and designs are subject to change without notice. Packaged weights are approximate.