



PCAP TOUCH SOLUTION

75" Integrated Touchscreen Display

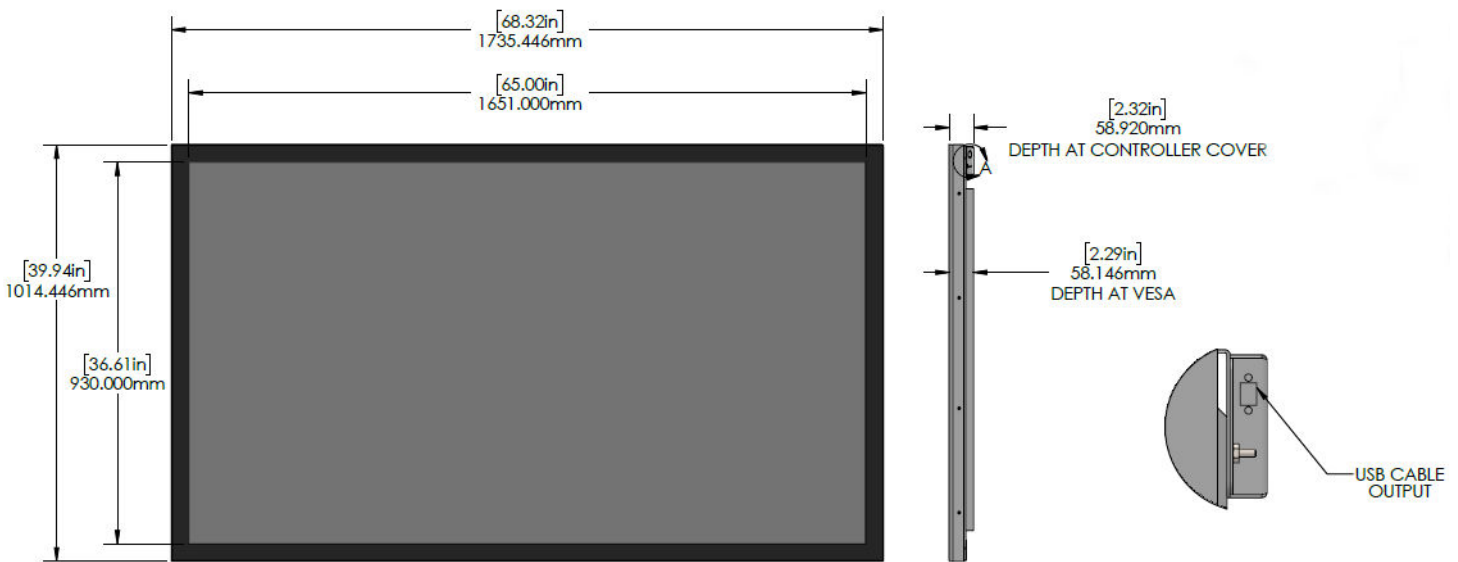
TSI Touch's Projected Capacitive (PCAP) Metal Mesh solution for Samsung®'s 75" Q-series monitors allows for a highly accurate touchscreen experience. Through the use of advanced Metal Mesh sensor technology, coupled with a state of the art controller, our PCAP touch solution provides the interactive experience your end users expect, all while requiring little to no maintenance.

Our double pan design provides an edge to edge glass flat fronted touch experience, allowing for easy cleaning and sanitization, as well as providing considerable protection to the display.



SPECIFICATION	DETAIL			
<i>Product Name</i>	Touchscreen only	QB75B with Integrated Touchscreen	QH75B with Integrated Touchscreen	QM75B with Integrated Touchscreen
<i>Part Number</i>	TSI75NS156HJGZZ	TSI75PSXA6HJGZZ	TSI75PSXM6HJGZZ	TSI75PSWP6HJGZZ
<i>Touchscreen Type</i>	Projected Capacitive Metal Mesh on Anti-Glare Glass			
<i>Number of Touch Points</i>	40 points simultaneous touch maximum			
<i>Touchscreen Interface</i>	USB 2.0 Type A Male connector with 2 meter cable			
<i>Touchscreen Power</i>	USB 5VDC Maximum 1.6W Peak			
<i>Touch Response Time</i>	5ms			
<i>Touch Accuracy</i>	0.53% of sensor area			
<i>Minimum Object Separation</i>	2.64%			
<i>Orientation Compatibility</i>	Landscape, Portrait			
<i>Brightness (w/touchscreen)</i>	N/A	308 nit	616 nit	440 nit
<i>Brightness (w/o touchscreen)</i>	N/A	350 nit	700 nit	500 nit
<i>Display Resolution</i>	3840 x 2160			
<i>Contrast Ratio</i>	4000:1			

<i>Viewing Angle</i>	178/178
<i>Aspect Ratio</i>	16:9
<i>Video Inputs</i>	HDMI 2.0 (3)
<i>Audio Output</i>	Stereo Mini Jack
<i>Operating System Compatability</i>	Microsoft® Windows®, Samsung® SoC, Google® Chrome®, Android®, MacOS®, and many popular Linux® Distributions - <i>HID Compliant Compatability</i>
<i>Display Power Supply</i>	AC 100 - 240 V, 50/60 Hz
<i>Display Power Consumption</i>	Typical: 161 Watts/Max: 231 Watts
<i>Operating Temperature</i>	0°~40° C
<i>Humidity</i>	10~80% Non-condensing
<i>Integrated Dimensions (W x H x D)</i>	68.32" x 39.94" x 2.32"
<i>Viewable Area</i>	65.0" x 36.61"
<i>Integrated Display Weight</i>	162.7 lbs.
<i>Packaged Weight</i>	232.1 lbs.
<i>VESA Pattern</i>	400 x 400 mm
<i>Recommended Duty Cycle</i>	QB: 16/7 \\\ QH and QM: 24/7
<i>Service and Support</i>	3 Year Repair & Return Warranty
<i>In the Box</i>	Integrated Touchscreen Display, Quick Setup Guide, Warranty Card, Power Cord, Remote Controller, Batteries



*Drawing not to scale.

For more information, please visit
www.tsitouch.com,
 email sales@tsitouch.com,
 or call 802-874-0123

Specifications and designs are subject to change without notice. Packaged weights are approximate.