

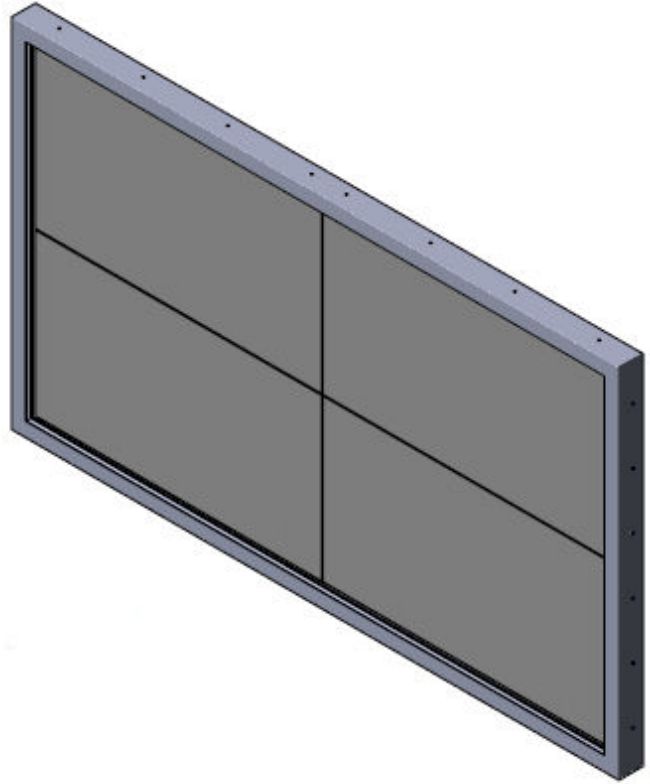


# INFRARED TOUCH SOLUTION

## 46" Integrated 2Wx2H Landscape Video Wall

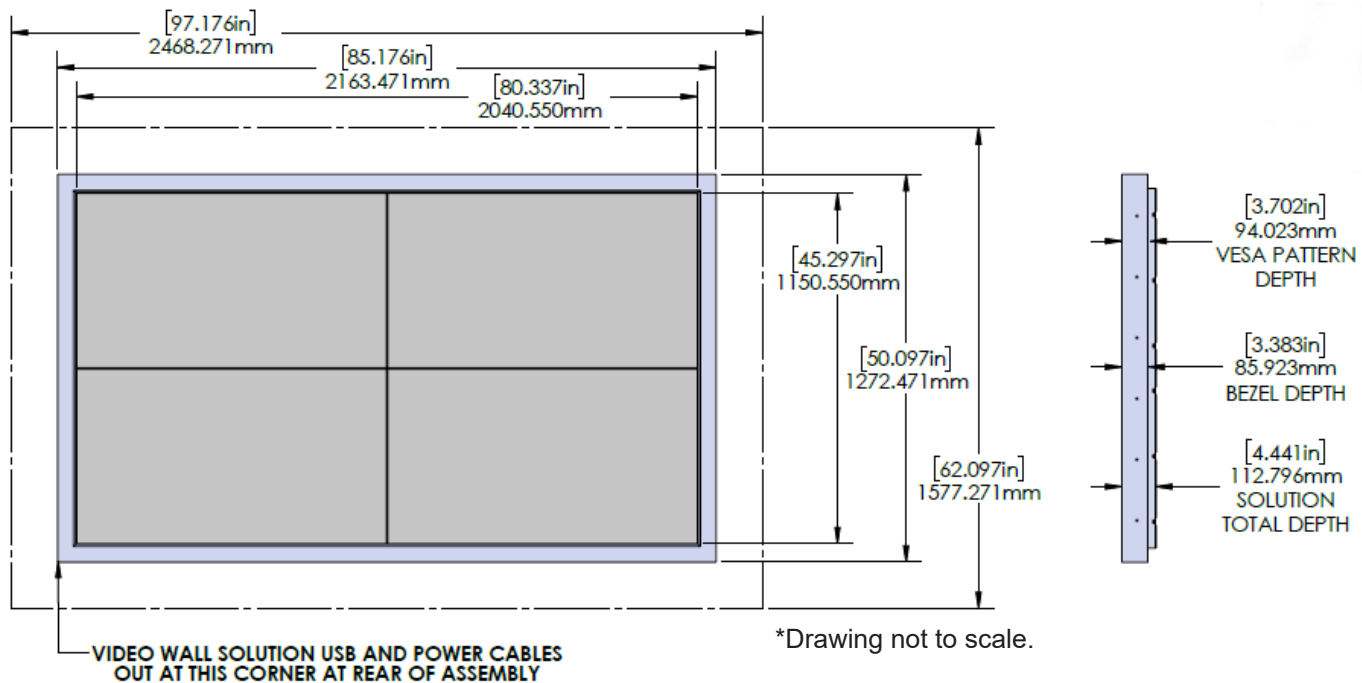
TSI Touch's Infrared (IR) solution for a 2Wx2H Landscape Video Wall, featuring Samsung® VM46B-U displays, allows for a highly accurate touchscreen experience. Through the use of Infrared technology, virtually any input can be detected (pen/stylus, user's fingers, palms, gloved fingers).

Our aesthetically pleasing, all-metal perimeter bezel construction, combined with high strength glass, adds considerable protection to the displays, while also keeping your content crisp and bright.



SPECIFICATION	DETAIL	
<i>Product Name</i>	Video Wall Touchscreen only	(4) VM46B-U with Integrated VW Touchscreen
<i>Part Number</i>	TSI46NSWRQBLBA1	TSI46PSWRQBLBA1
<i>Touchscreen Type</i>	Infrared on Monolithic Clear Glass	
<i>Number of Touch Points</i>	12 points simultaneous touch minimum	
<i>Touchscreen Interface</i>	USB 2.0 Type A Male connector with 57" cable	
<i>Touchscreen Power</i>	5.0V / 4.0A External Power Supply Included	
<i>Touch Response Time</i>	≤8ms	
<i>Touch Accuracy</i>	+- 1mm	
<i>Minimum Touch Object Size</i>	6mm	
<i>Configuration/Orientation</i>	2W x 2H Landscape	
<i>Brightness (w/touchscreen)</i>	N/A	445 nit
<i>Brightness (w/o touchscreen)</i>	N/A	500 nit
<i>Display Resolution</i>	1920 x 1080 (per display)	
<i>Contrast Ratio</i>	1,200:1	
<i>Viewing Angle</i>	178/178	

Aspect Ratio	16:9
Video Inputs	HDMI 2.0 (2) /DVI-D, Display Port 1.2
Audio Output	Stereo Mini Jack
Operating System Compatability	Microsoft® Windows®, MacOS® , Ubuntu/Fedora® - <i>HID Compliant Available Upon Request</i>
Display Power Supply	AC 100 - 240 V, 50/60 Hz
Display Power Consumption	Typical: 128 Watts/Max: 160 Watts (per display)
Operating Temperature	0°~40° C
Humidity	10~80% Non-condensing
Integrated Dimensions (W x H x D)	85.18" x 50.1" x 4.44"
Viewable Area	80.34" x 45.3"
Integrated Display Weight	270.5 lbs.
Shipping Weight	TBD
VESA Pattern	600 x 400 mm
Recommended Duty Cycle	24/7
Service and Support	3 Year Repair & Return Warranty
In the Box	Touchscreen (Boxed Separately), Display, Quick Setup Guide, Warranty Card, Power Cord, Remote Controller, Batteries



For more information, please visit  
[www.tsitouch.com](http://www.tsitouch.com),  
 email [sales@tsitouch.com](mailto:sales@tsitouch.com),  
 or call 802-874-0123

Specifications and designs are subject to change without notice. Packaged weights are approximate.