

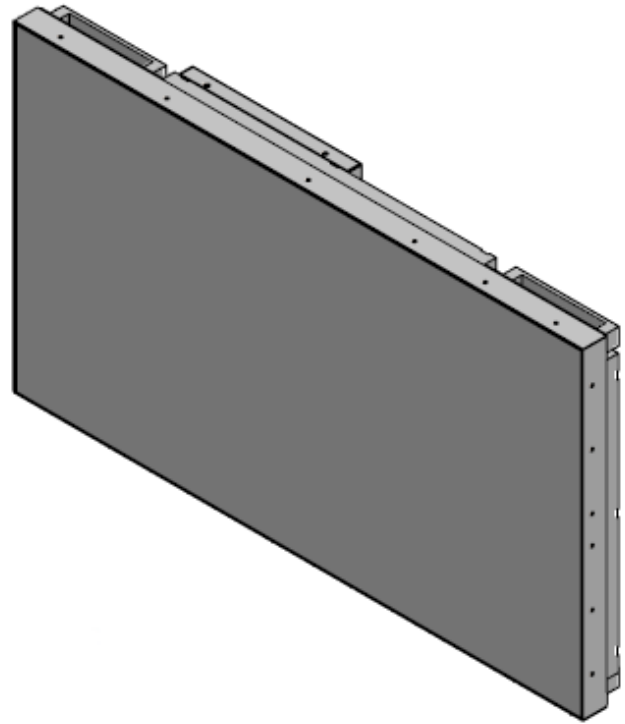


PCAP TILE SOLUTION

46" Integrated Touchscreen Video Wall Display

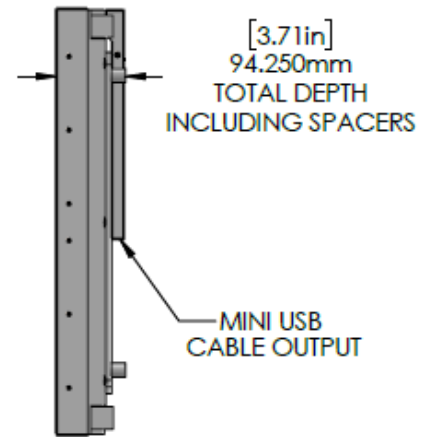
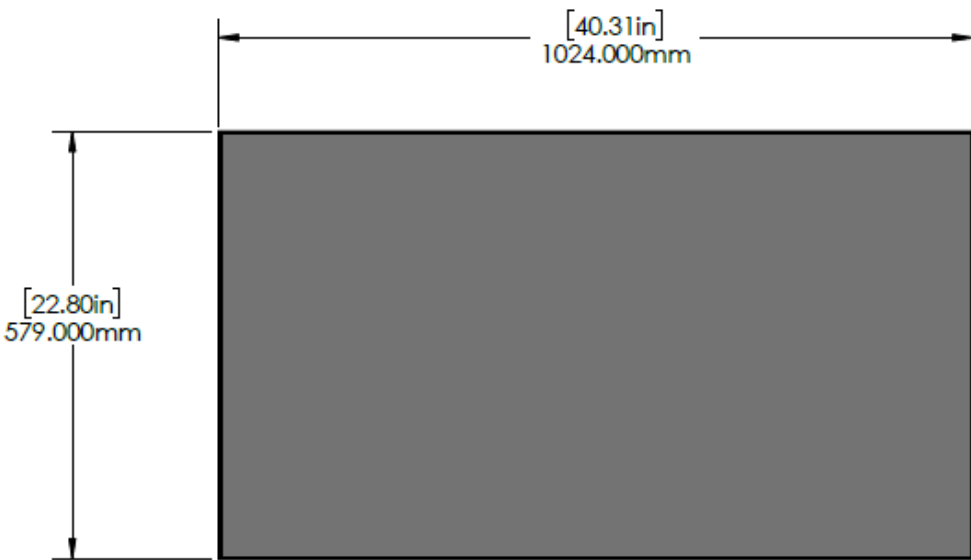
TSI Touch's Projected Capacitive (PCAP) TILE for Samsung®'s 46" VM46B-U display provides a low profile PCAP touch solution that can be quickly integrated and implemented in an interactive video wall. Our PCAP TILE combines great functionality with a sleeker design than previously available.

Our patented cold rolled steel, Glass Retention Bezel System (GRBS), combined with anti-glare glass, provides considerable protection to the display, while keeping the bezel to bezel width narrow for a smooth touch transition across displays.



SPECIFICATION	DETAIL	
<i>Product Name</i>	PCAP TILE Touchscreen only	VM46B-U Integrated with PCAP TILE Touchscreen
<i>Part Number</i>	TSI46NSWR5FFGZZ	TSI46PSWR5FFGZZ
<i>Touchscreen Type</i>	Projected Capacitive TILE on Anti-Glare Glass	
<i>Number of Touch Points</i>	100 points simultaneous touch	
<i>Touchscreen Interface</i>	USB 2.0 Type A Male connector with 2 meter cable	
<i>Touchscreen Power</i>	USB 5VDC Maximum 410mA Peak, 370mA Nominal	
<i>Touch Response Time</i>	5ms	
<i>Touch Accuracy</i>	0.53% of sensor area	
<i>Minimum Object Separation</i>	2.64%	
<i>Orientation Compatibility</i>	Landscape, Portrait, Table	
<i>Brightness (w/touchscreen)</i>	N/A	440 nit
<i>Brightness (w/o touchscreen)</i>	N/A	500 nit
<i>Display Resolution</i>	1920 x 1080	
<i>Contrast Ratio</i>	1200:1	
<i>Viewing Angle</i>	178/178	

<i>Aspect Ratio</i>	16:9
<i>Video Inputs</i>	HDMI 2.0 (2)
<i>Audio Output</i>	Stereo Mini Jack
<i>Operating System Compatability</i>	Microsoft® Windows®, Samsung® SoC, Google® Chrome®, Android®, MacOS® , and many popular Linux® Distributions - <i>HID Compliant Compatability</i>
<i>Display Power Supply</i>	AC 100 - 240 V, 50/60 Hz
<i>Display Power Consumption</i>	Typical: 128 Watts/Max: 160 Watts
<i>Operating Temperature</i>	0°~40° C
<i>Humidity</i>	10~80% Non-condensing
<i>Integrated Dimensions (W x H x D)</i>	40.31" x 22.80" x 3.71"
<i>Viewable Area</i>	40.31" x 22.80"
<i>Integrated Display Weight</i>	54.6 lbs.
<i>Packaged Weight</i>	68.9lbs.
<i>VESA Pattern</i>	600 x 400 mm
<i>Recommended Duty Cycle</i>	24/7
<i>Service and Support</i>	3 Year Repair & Return Warranty
<i>In the Box</i>	Integrated Touchscreen Display, Quick Setup Guide, Warranty Card, Power Cord, Remote Controller, Batteries



*Drawing not to scale.

For more information, please visit
www.tsitouch.com,
 email sales@tsitouch.com,
 or call 802-874-0123

Specifications and designs are subject to change without notice. Packaged weights are approximate.