

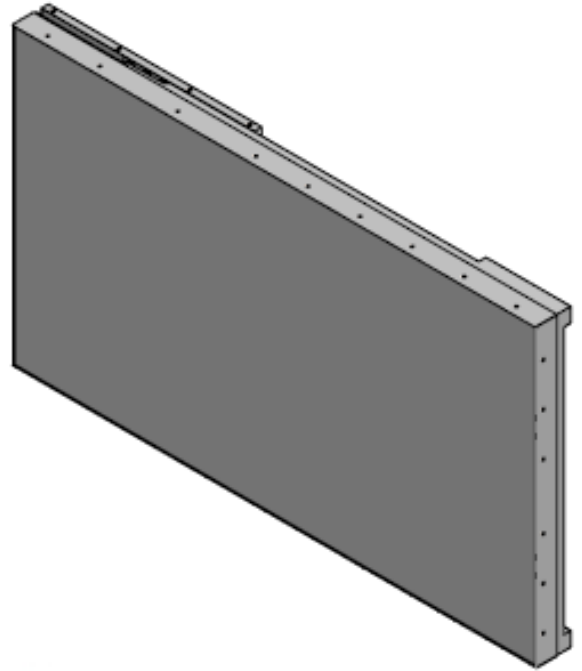


PCAP TILE TOUCH SOLUTION

55" Integrated Touchscreen Video Wall Display

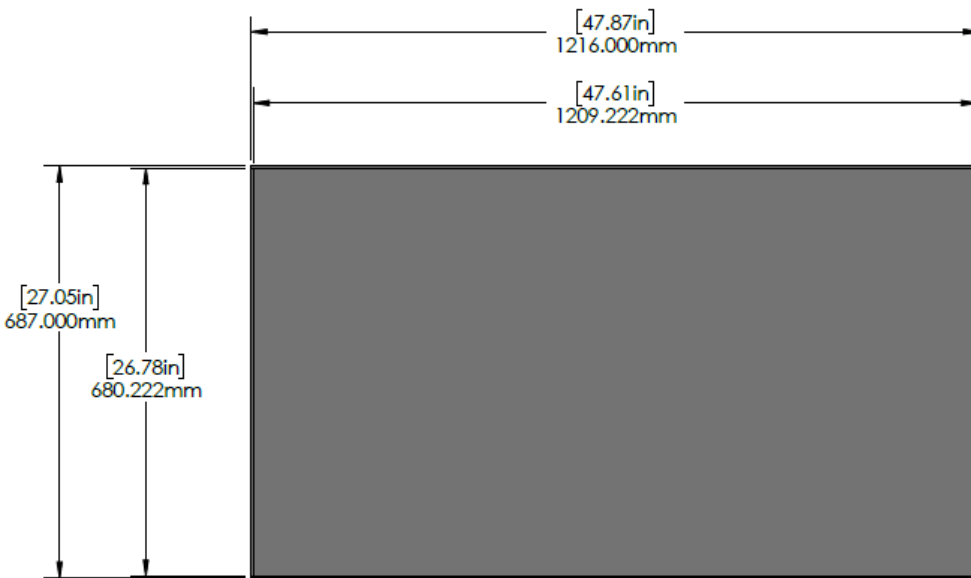
TSI Touch's Projected Capacitive (PCAP) TILE for Samsung®'s 55" VM55B-U display provides a low profile PCAP touch solution that can be quickly integrated and implemented in an interactive video wall. Our PCAP TILE combines great functionality with a sleeker design than previously available.

Our patented cold rolled steel, Glass Retention Bezel System (GRBS), combined with anti-glare glass, provides considerable protection to the display, while keeping the bezel to bezel width narrow for a smooth touch transition across displays.

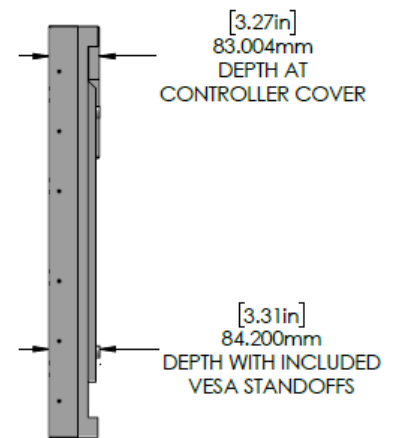


SPECIFICATION	DETAIL	
<i>Product Name</i>	PCAP TILE Touchscreen only	VM55B-U Integrated with PCAP TILE Touchscreen
<i>Part Number</i>	TSI55NSWS5FFGZZ	TSI55PSWS5FFGZZ
<i>Touchscreen Type</i>	Projected Capacitive TILE on Anti-Glare Glass	
<i>Number of Touch Points</i>	100 points simultaneous touch	
<i>Touchscreen Interface</i>	USB 2.0 Type A Male connector with 2 meter cable	
<i>Touchscreen Power</i>	USB 5VDC Maximum 410mA Peak, 370mA Nominal	
<i>Touch Response Time</i>	5ms	
<i>Touch Accuracy</i>	0.53% of sensor area	
<i>Minimum Object Separation</i>	2.64%	
<i>Orientation Compatibility</i>	Landscape, Portrait	
<i>Brightness (w/touchscreen)</i>	N/A	440 nit
<i>Brightness (w/o touchscreen)</i>	N/A	500 nit
<i>Display Resolution</i>	1920 x 1080	
<i>Contrast Ratio</i>	1200:1	
<i>Viewing Angle</i>	178/178	

Aspect Ratio	16:9
Video Inputs	HDMI 2.0 (2)
Audio Output	Stereo Mini Jack
Operating System Compatability	Microsoft® Windows®, Samsung® SoC, Google® Chrome®, Android®, MacOS® , and many popular Linux® Distributions - <i>HID Compliant Compatability</i>
Display Power Supply	AC 100 - 240 V, 50/60 Hz
Display Power Consumption	Typical: 165 Watts/Max: 220 Watts
Operating Temperature	0°~40° C
Humidity	10~80% Non-condensing
Integrated Dimensions (W x H x D)	47.87" x 27.05" x 3.31"
Viewable Area	47.61" x 26.78"
Integrated Display Weight	71.7 lbs.
Packaged Weight	86.7lbs.
VESA Pattern	600 x 400 mm
Recommended Duty Cycle	24/7
Service and Support	3 Year Repair & Return Warranty
In the Box	Integrated Touchscreen Display, Quick Setup Guide, Warranty Card, Power Cord, Remote Controller, Batteries



*Drawing not to scale.



For more information, please visit
www.tsitouch.com,
 email sales@tsitouch.com,
 or call 802-874-0123

Specifications and designs are subject to change without notice. Packaged weights are approximate.