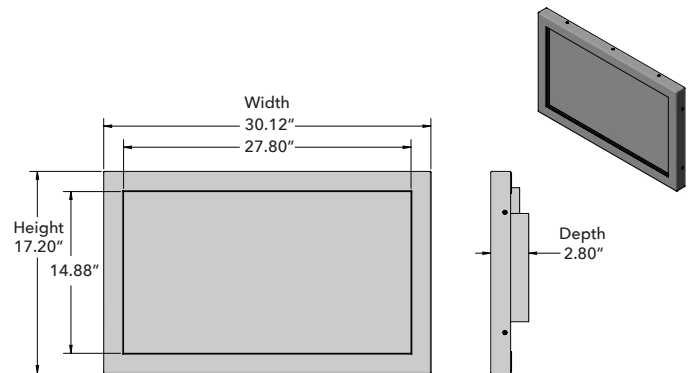


LG 31" Infrared Touch Screen Solution



Infrared Interactive Solution

The TSi touch solution is Infrared (IR) based, allowing for a high accuracy interactive experience. The usage of IR technology allows for virtually any input to be detected (pen/stylus, user's fingers, palms, gloved fingers). The TSi touch overlay is a full steel chassis integrated with tempered cover glass, which increases durability and optical clarity, while protecting the display.



Multi-Touch Screen
 True multi-touch support for all major operating systems. 6, 10, 12, or 32 simultaneous touch point options are available



Easy Integration
 Unrivaled simplicity makes installation easier and faster



Ultra-Fast Response Time
 Allows for split second reactions between touch point and screen



HID Compliant
 Maximum compatibility with numerous operating systems, plug-and-play



Superior Design
 Full steel chassis combined with tempered glass provides additional protection to the LCD panel



Customizable
 Custom colors and silk screening available

Specifications

Display Compatible	31MU97C-B
Part Number	TSI31NLPQT6CRZZ
Protective Glass	1/8" Anti-Reflective Tempered Glass
Frame Material	Black Powder Coated Cold Rolled Steel
Touch Technology	IR
Touch Points	6 Point
Response Time	6 - 16ms
Touch Accuracy	+/- 2mm (Over 99% Area)
Interface	Type A USB/M
Communication	USB 2.0
Remote Control Receiver	Extender Not Needed
Receiver Extender	N/A
Power Supply Mode	5V/4A Power adapter
Width/Height/Depth Including Monitor	30.12" x 17.20" x 2.80"
Weight (Without Monitor)	13.01 lbs
Boxed Weight	TBD
Boxed Dimensions	TBD
OS Support	Windows, Google Chrome, Android, Mac, Linux