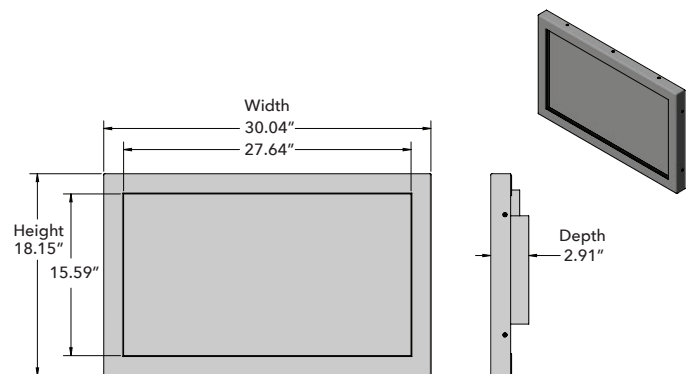


## LG 32" Infrared Touch Screen Solution



### Infrared Interactive Solution

The TSi touch solution is Infrared (IR) based, allowing for a high accuracy interactive experience. The usage of IR technology allows for virtually any input to be detected (pen/stylus, user's fingers, palms, gloved fingers). The TSi touch overlay is a full steel chassis integrated with tempered cover glass, which increases durability and optical clarity, while protecting the display.



**Multi-Touch Screen**  
 True multi-touch support for all major operating systems. 6, 10, 12, or 32 simultaneous touch point options are available



**Easy Integration**  
 Unrivaled simplicity makes installation easier and faster



**Ultra-Fast Response Time**  
 Allows for split second reactions between touch point and screen



**HID Compliant**  
 Maximum compatibility with numerous operating systems, plug-and-play



**Superior Design**  
 Full steel chassis combined with tempered glass provides additional protection to the LCD panel



**Customizable**  
 Custom colors and silk screening available

### Specifications

Display Compatible	32SE3D-B, 32SE3KD-B, 32SE3KE-B, 32SM5KE-B
Part Number	TSI32NL10R6CRZZ
Protective Glass	1/8" Anti-Reflective Cover Glass
Frame Material	Black Powder Coated Cold Rolled Steel
Touch Technology	IR
Touch Points	6 Point
Response Time	6 - 16ms
Touch Accuracy	+/- 2mm (Over 99% Area)
Interface	Type A USB/M
Communication	USB 2.0
Power Supply Mode	USB
Width/Height/Depth Including Monitor	30.04" x 18.15" x 2.91"
Weight (Without Monitor)	16.09 lbs
Boxed Weight	20.20 lbs
Boxed Dimensions	34.50" x 23.00" x 7.50"
OS Support	Windows, Google Chrome, Android, Mac, Linux