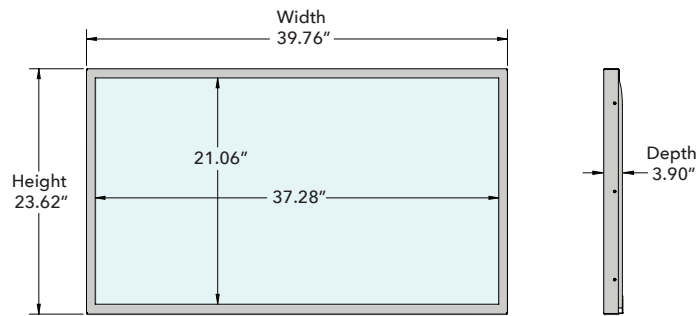


LG 43" Infrared Touch Screen Solution



Infrared Interactive Solution

The TSi touch solution is Infrared (IR) based, allowing for a high accuracy interactive experience. The usage of IR technology allows for virtually any input to be detected (pen/stylus, user's fingers, palms, gloved fingers). The TSi touch overlay is a full steel chassis integrated with tempered cover glass, which increases durability and optical clarity, while protecting the display.



Multi-Touch Screen
 True multi-touch support for all major operating systems. 6, 10, 12, or 32 simultaneous touch point options are available



Easy Integration
 Unrivaled simplicity makes installation easier and faster



Ultra-Fast Response Time
 Allows for split second reactions between touch point and screen



HID Compliant
 Maximum compatibility with numerous operating systems, plug-and-play



Superior Design
 Full steel chassis combined with tempered glass provides additional protection to the LCD panel



Customizable
 Custom colors and silk screening available

Specifications

Display Compatible	43UV340C
Part Number	TSI43NLAKTACRZZ
Protective Glass	1/8" Anti-Reflective Cover Glass
Frame Material	Black Powder Coated Cold Rolled Steel
Touch Technology	IR
Touch Points	10 Point
Response Time	6 - 16ms
Touch Accuracy	+/- 2mm (Over 99% Area)
Interface	Type A USB/M
Communication	USB 2.0
Power Supply Mode	USB
Width/Height/Depth Including Monitor	39.76" x 23.62" x 3.90"
Weight (Without Monitor)	22.93 lbs
Boxed Weight	27.80 lbs
Boxed Dimensions	42.25" x 27.00" x 7.75"
OS Support	Windows, Google Chrome, Android, Mac, Linux