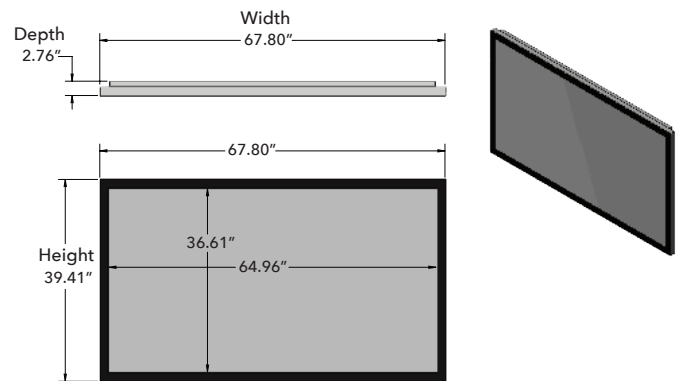


## LG 75" Projected Capacitive Touch Screen Solution



### Projected Capacitive Interactive Solution

TSItouch's line of projected capacitive touch displays are engineered specifically for commercial customers who are looking for a rugged and durable touch screen that does not sacrifice on image quality. Featuring a seamless flat front bezel design, the monitor can easily be wiped clean, eliminating any worries about dust and dirt collection. This helps extend the use of the display and enhances the touch experience.



**Multi-Touch Screen**  
 True multi-touch support with up to 40, 80, or 100 simultaneous touch points for all major operating systems



**Easy Integration**  
 Unrivaled simplicity makes installation easier and faster



**Ultra-Fast Response Time**  
 Allows for split second reactions between touch point and screen. Rapid and smooth touch response



**HID Compliant**  
 Maximum compatibility with numerous operating systems, plug-and-play



**Superior Design**  
 Zero bezel flat front, tempered glass touch screen with excellent optical performance



**Easy to Clean**  
 Water and dust resistant

### Specifications

Display Compatible	75UH5B-B, 75UH5C-B, 75UH5E-B
Part Number	TSI75NL11PGJGZZ
Protective Glass	3/16" Clear Tempered Cover Glass
Frame Material	Black Powder Coated Cold Rolled Steel
Touch Technology	PCAP
Touch Points	100 Point
Response Time	6 - 16ms
Touch Accuracy	+/- 2mm (Over 99% Area)
Interface	Type A USB/M
Communication	USB 2.0
Power Supply Mode	USB
Width/Height/Depth Including Monitor	67.80" x 39.41" x 2.76
Weight (Without Monitor)	79.15 lbs
Boxed Weight	92.60 lbs
Boxed Dimensions	71.00" x 44.25" x 9.00"
OS Support	Windows, Google Chrome, Android, Mac, Linux