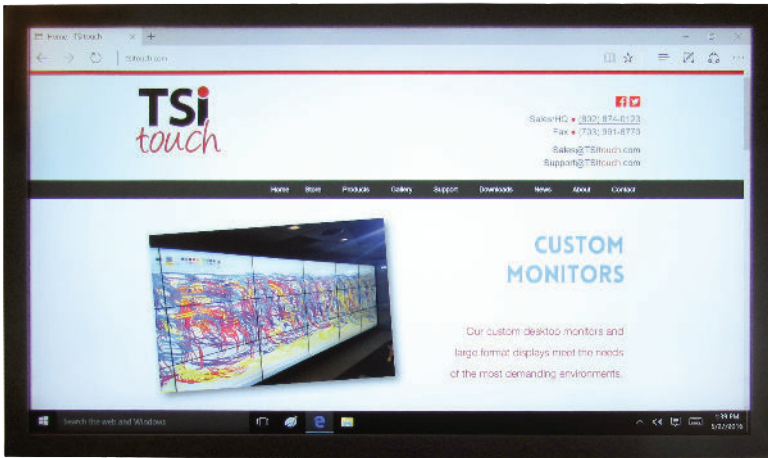
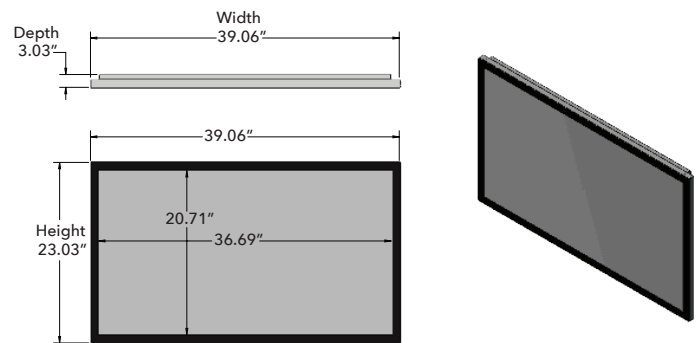


NEC V423 42" Projected Capacitive Touch Screen Overlay



NEC



Advanced Interactive Collaboration Solution

TSitouch's line of projected capacitive touch displays are engineered specifically for consumer and commercial customers who are looking for a rugged and durable touch screen without having to sacrifice on image quality. Featuring a seamless flat front bezel design, the monitor can easily be wiped clean, thereby eliminating having to worry about dust and dirt collection, which helps extend the use of your display and enhances your touch experience.



Multi-Touch Screen

True multi-touch support with up to eighty simultaneous touch points for all major operating systems



Easy Integration

Unrivaled simplicity makes installation easier and faster



Ultra-Fast Response Time

Allows for split second reactions between touch point and screen



HID Compliant

Maximum compatibility with numerous operating systems, plug-and-play



Superior Design

Zero bezel flat front, anti-glare touch screen, excellent optical performance



Easy to Clean

Water and dust resistant

Specifications

| | |
|--------------------------------------|---|
| Display Compatible | NEC V423 |
| Part Number | TSI42PNDUPGAGZZ |
| Protective Glass | 1/8" Anti-Glare Tempered Glass |
| Frame Material | Black Powder Coated Cold Rolled Steel |
| Touch Technology | PCAP |
| Touch Points | 80 Point |
| Response Time | 6 - 16ms |
| Touch Accuracy | +/- 2mm (Over 99% Area) |
| Interface | Type A USB/M |
| Communication | USB 2.0 |
| Power Supply Mode | USB |
| Width/Height/Depth Including Monitor | 39.06" x 23.03" x 3.03" |
| Weight (With Monitor) | 61.51 lbs |
| Boxed Weight | 69.20 lbs |
| Boxed Dimensions | 44.50" x 27.00" x 7.25" |
| OS Support | Windows, Google Chrome, Android, Mac, Linux |