



PCAP TOUCH SOLUTION

43" Integrated Touchscreen Display

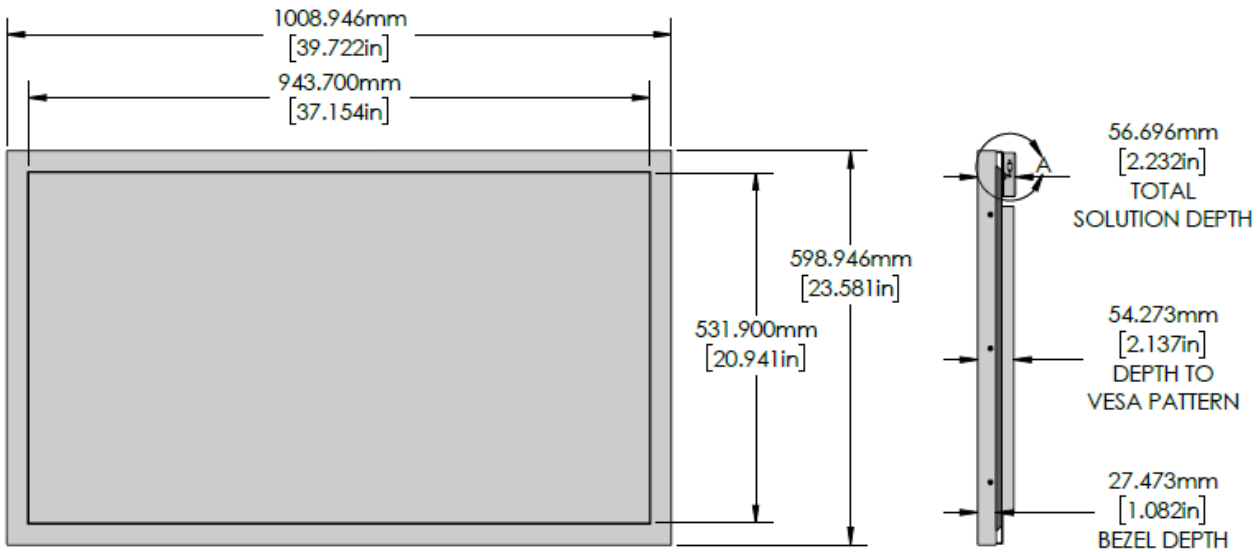
TSI Touch's Projected Capacitive (PCAP) Metal Mesh solution for Samsung®'s 43" Q-series monitors allows for a highly accurate touchscreen experience. Through the use of advanced Metal Mesh sensor technology, coupled with a state of the art controller, our PCAP touch solution provides the interactive experience your end users expect, all while requiring little to no maintenance.

Our all-metal bezel construction, combined with anti-glare glass, adds considerable protection to the display, while also keeping your content crisp and bright.



SPECIFICATION	DETAIL			
<i>Product Name</i>	Touchscreen only	QB43B with Integrated Touchscreen	QH43B with Integrated Touchscreen	QM43B with Integrated Touchscreen
<i>Part Number</i>	TSI43NS156HPGZZ	TSI43PSXD6HPGZZ	TSI43PSXH6HPGZZ	TSI43PSWM6HPGZZ
<i>Touchscreen Type</i>	Projected Capacitive Metal Mesh on Anti-Glare Glass			
<i>Number of Touch Points</i>	40 points simultaneous touch			
<i>Touchscreen Interface</i>	USB 2.0 Type A Male connector with 2 meter cable			
<i>Touchscreen Power</i>	USB 5VDC Maximum 1.6W Peak			
<i>Touch Response Time</i>	5ms			
<i>Touch Accuracy</i>	0.53% of sensor area			
<i>Minimum Object Separation</i>	2.64%			
<i>Orientation Compatibility</i>	Landscape, Portrait			
<i>Brightness (w/touchscreen)</i>	N/A	308 nit	616 nit	440 nit
<i>Brightness (w/o touchscreen)</i>	N/A	350 nit	700 nit	500 nit
<i>Display Resolution</i>	3840 x 2160			
<i>Contrast Ratio</i>	4000:1			
<i>Viewing Angle</i>	178/178			

Aspect Ratio	16:9
Video Inputs	HDMI 2.0 (2)
Audio Output	Stereo Mini Jack
Operating System Compatability	Microsoft® Windows®, Samsung® SoC, Google® Chrome®, Android®, MacOS® , and many popular Linux® Distributions - <i>HID Compliant Compatability</i>
Display Power Supply	AC 100 - 240 V, 50/60 Hz
Display Power Consumption	Typical: 67 Watts/Max: 100 Watts
Operating Temperature	0°~40° C
Humidity	10~80% Non-condensing
Integrated Dimensions (W x H x D)	39.72" x 23.58" x 2.23"
Viewable Area	37.15" x 20.94"
Integrated Display Weight	48.1 lbs.
Packaged Weight	57.0 lbs.
VESA Pattern	200 x 200 mm
Recommended Duty Cycle	QB: 16/7 \\\ QH and QM: 24/7
Service and Support	3 Year Repair & Return Warranty
In the Box	Integrated Touchscreen Display, Quick Setup Guide, Warranty Card, Power Cord, Remote Controller, Batteries



*Drawing not to scale.

For more information, please visit
www.tsitouch.com,
 email sales@tsitouch.com,
 or call 802-874-0123

Specifications and designs are subject to change without notice. Packaged weights are approximate.