



PCAP TOUCH SOLUTION

55" Integrated Touchscreen Display

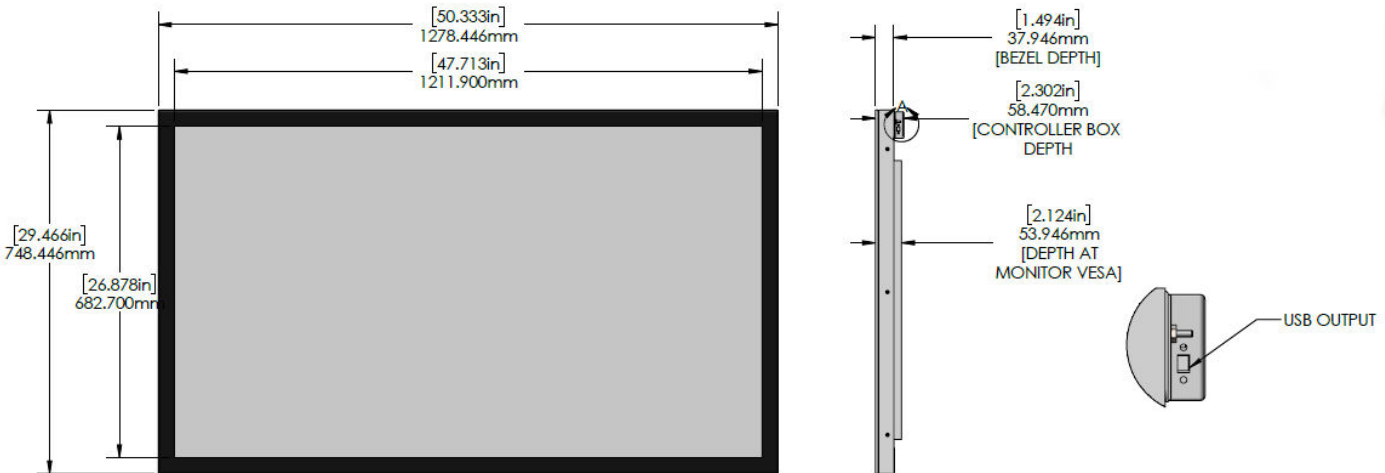
TSI Touch's Projected Capacitive (PCAP) Metal Mesh solution for Samsung®'s 55" Q-series monitors allows for a highly accurate touchscreen experience. Through the use of advanced Metal Mesh sensor technology, coupled with a state of the art controller, our PCAP touch solution provides the interactive experience your end users expect, all while requiring little to no maintenance.

Our all-metal bezel construction, combined with anti-glare glass, adds considerable protection to the display, while also keeping your content crisp and bright.



SPECIFICATION	DETAIL			
<i>Product Name</i>	Touchscreen only	QB55B with Integrated Touchscreen	QH55B with Integrated Touchscreen	QM55B with Integrated Touchscreen
<i>Part Number</i>	TSI55NS156HJGZZ	TSI55PSXF6HJGZZ	TSI55PSXK6HJGZZ	TSI55PSWL6HJGZZ
<i>Touchscreen Type</i>	Projected Capacitive Metal Mesh			
<i>Number of Touch Points</i>	40 points simultaneous touch minimum			
<i>Touchscreen Interface</i>	USB 2.0 Type A Male connector with 2 meter cable			
<i>Touchscreen Power</i>	USB 5VDC Maximum 1.6W Peak			
<i>Touch Response Time</i>	5ms			
<i>Touch Accuracy</i>	0.53% of sensor area			
<i>Minimum Object Separation</i>	2.64%			
<i>Orientation Compatibility</i>	Landscape, Portrait			
<i>Brightness (w/touchscreen)</i>	N/A	310 nit	623 nit	445 nit
<i>Brightness (w/o touchscreen)</i>	N/A	350 nit	700 nit	500 nit
<i>Display Resolution</i>	3840 x 2160			
<i>Contrast Ratio</i>	4000:1			
<i>Viewing Angle</i>	178/178			

<i>Aspect Ratio</i>	16:9
<i>Video Inputs</i>	HDMI 2.0 (3)
<i>Audio Output</i>	Stereo Mini Jack
<i>Operating System Compatability</i>	Microsoft® Windows®, Samsung® SoC, Google® Chrome®, Android®, Ma-cOS®, and many popular Linux® Distributions - <i>HID Compliant Compatability</i>
<i>Display Power Supply</i>	AC 100 - 240 V, 50/60 Hz
<i>Display Power Consumption</i>	Typical: 108 Watts/Max: 143 Watts
<i>Operating Temperature</i>	0°~40° C
<i>Humidity</i>	10~80% Non-condensing
<i>Integrated Dimensions (W x H x D)</i>	50.33" x 29.46" x 2.30"
<i>Viewable Area</i>	47.71" x 26.87"
<i>Integrated Display Weight</i>	80.2 lbs.
<i>Packaged Weight</i>	88.0 lbs.
<i>VESA Pattern</i>	200 x 200 mm
<i>Recommended Duty Cycle</i>	QB: 16/7 \ \ \ QH and QM: 24/7
<i>Service and Support</i>	3 Year Repair & Return Warranty
<i>In the Box</i>	Integrated Touchscreen Display, Quick Setup Guide, Warranty Card, Power Cord, Remote Controller, Batteries



*Drawing not to scale.

For more information, please visit
www.tsitouch.com,
 email sales@tsitouch.com,
 or call 802-874-0123

Specifications and
 designs are subject to
 change without notice.
 Packaged weights are
 approximate.