



# PCAP TOUCH SOLUTION

65" Integrated Touchscreen Display

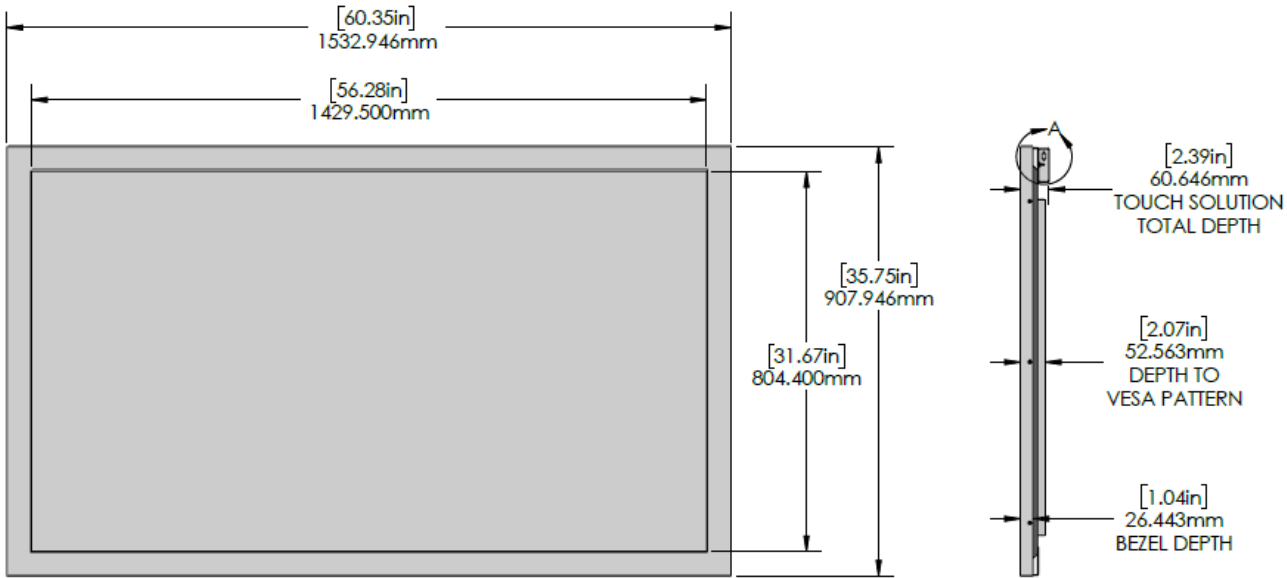
TSI Touch's Projected Capacitive (PCAP) Metal Mesh solution for Samsung®'s 65" Q-series monitors allows for a highly accurate touchscreen experience. Through the use of advanced Metal Mesh sensor technology, coupled with a state of the art controller, our PCAP touch solution provides the interactive experience your end users expect, all while requiring little to no maintenance.

Our all-metal bezel construction, combined with anti-glare glass, adds considerable protection to the display, while also keeping your content crisp and bright.



SPECIFICATION	DETAIL			
<i>Product Name</i>	Touchscreen only	QB65B with Integrated Touchscreen	QH65B with Integrated Touchscreen	QM65B with Integrated Touchscreen
<i>Part Number</i>	TSI65NS156HPGZZ	TSI65PSXG6HPGZZ	TSI65PSXL6HPGZZ	TSI65PSWN6HPGZZ
<i>Touchscreen Type</i>	Projected Capacitive Metal Mesh			
<i>Number of Touch Points</i>	40 points simultaneous touch minimum			
<i>Touchscreen Interface</i>	USB 2.0 Type A Male connector with 2 meter cable			
<i>Touchscreen Power</i>	USB 5VDC Maximum 1.6W Peak			
<i>Touch Response Time</i>	5ms			
<i>Touch Accuracy</i>	0.53% of sensor area			
<i>Minimum Object Separation</i>	2.64%			
<i>Orientation Compatibility</i>	Landscape, Portrait			
<i>Brightness (w/touchscreen)</i>	N/A	308 nit	616 nit	440 nit
<i>Brightness (w/o touchscreen)</i>	N/A	350 nit	700 nit	500 nit
<i>Display Resolution</i>	3840 x 2160			
<i>Contrast Ratio</i>	4000:1			
<i>Viewing Angle</i>	178/178			

Aspect Ratio	16:9
Video Inputs	HDMI 2.0 (3)
Audio Output	Stereo Mini Jack
Operating System Compatability	Microsoft® Windows®, Samsung® SoC, Google® Chrome®, Android®, MacOS® , and many popular Linux® Distributions - <i>HID Compliant Compatability</i>
Display Power Supply	AC 100 - 240 V, 50/60 Hz
Display Power Consumption	Typical: 124 Watts/Max: 182 Watts
Operating Temperature	0°~40° C
Humidity	10~80% Non-condensing
Integrated Dimensions (W x H x D)	60.35" x 35.75" x 2.39"
Viewable Area	56.28" x 31.67"
Integrated Display Weight	108.7 lbs.
Packaged Weight	117 lbs.
VESA Pattern	400 x 400 mm
Recommended Duty Cycle	QB: 16/7 \\\ QH and QM: 24/7
Service and Support	3 Year Repair & Return Warranty
In the Box	Integrated Touchscreen Display, Quick Setup Guide, Warranty Card, Power Cord, Remote Controller, Batteries



\*Drawing not to scale.

For more information, please visit  
[www.tsitouch.com](http://www.tsitouch.com),  
 email [sales@tsitouch.com](mailto:sales@tsitouch.com),  
 or call 802-874-0123

Specifications and designs are subject to change without notice. Packaged weights are approximate.