



PROTECTIVE SOLUTION

32" Integrated Protective Solution

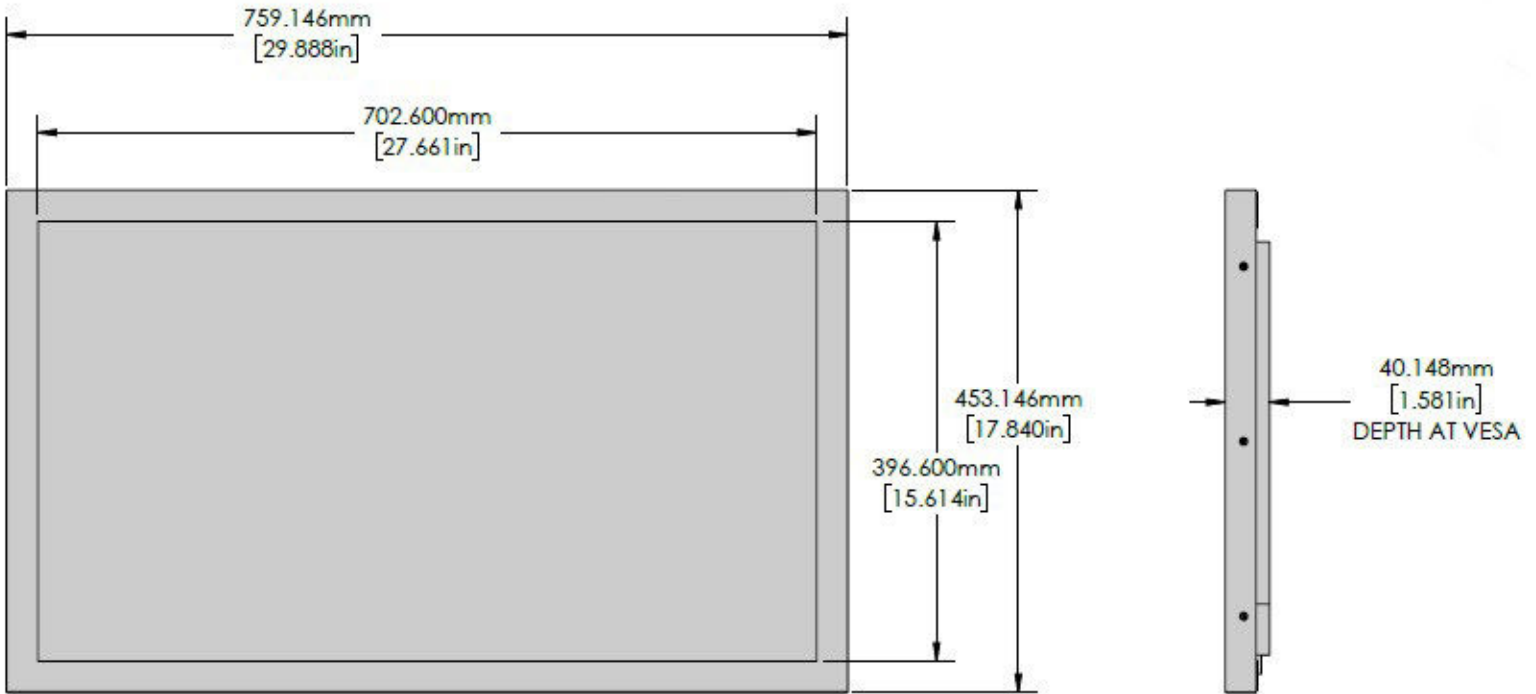
TSI Touch's protective solution for Samsung®'s 32" QM Series monitors consists of a fully custom steel chassis, integrated with high strength cover glass, providing increased durability and protection to the display.

This protection is not limited to accidental impacts, but also serves to protect the display from frequent cleanings. Our protective solutions are designed to blend in with our touch interactive solutions, allowing for a consistent look and feel across touch and non-touch displays.



SPECIFICATION	DETAIL	
<i>Product Name</i>	Protective Solution only	QM32R-B with Integrated Protective Solution
<i>Part Number</i>	TSI32NS15ZZNCZZ	TSI32PSWFZZNCZZ
<i>Glass Type</i>	Clear Cover Glass	
<i>Orientation Compatibility</i>	Landscape, Portrait	
<i>Brightness (w/touchscreen)</i>	356 nit	
<i>Brightness (w/o touchscreen)</i>	400 nit	
<i>Display Resolution</i>	1920 x 1080	
<i>Contrast Ratio</i>	5000:1	
<i>Viewing Angle</i>	178/178	
<i>Aspect Ratio</i>	16:9	
<i>Video Inputs</i>	HDMI 2.0 (2)	
<i>Audio Output</i>	Stereo Mini Jack	
<i>Display Power Supply</i>	AC 100 - 240 V, 50/60 Hz	
<i>Display Power Consumption</i>	Typical: 44 Watts/Max: 72 Watts	

<i>Operating Temperature</i>	0°~40° C
<i>Humidity</i>	10~80% Non-condensing
<i>Integrated Dimensions (W x H x D)</i>	29.88" x 17.84" x 1.58"
<i>Viewable Area</i>	27.66" x 15.61"
<i>Integrated Display Weight</i>	24.8 lbs
<i>Packaged Weight</i>	29.87 lbs
<i>VESA Pattern</i>	200 x 200 mm
<i>Recommended Duty Cycle</i>	24/7
<i>Service and Support</i>	3 Year Repair & Return Warranty
<i>In the Box</i>	Integrated Protective Display, Quick Setup Guide, Warranty Card, Power Cord, Remote Controller, Batteries



*Drawing not to scale.

For more information, please visit
www.tsitouch.com,
 email sales@tsitouch.com,
 or call 802-874-0123

Specifications and designs are subject to change without notice. Packaged weights are approximate.